

Light Duty Face-Mount Hangers

CDLTH's combine greater strength with maximum economy. Prongs secure CDLTH hangers to header for fast, easy nailing. Economical price and ease-of-use make these an ideal hanger for the do-it-yourself market.

MATERIAL SPECIFICATIONS

Gauge: 20ga (33mil)

Design Thickness: 0.0346 inches

Coating: G90 (Z275) hot-dipped galvanized coating

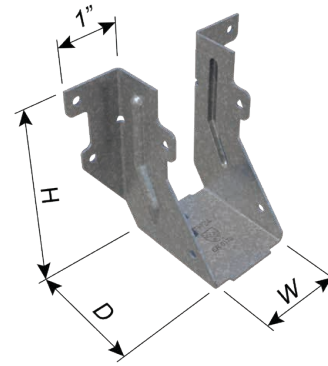
Yield Strength: Structural Grade 50 Type H (ST50H), 50ksi (340 MPa)

PRODUCT DIMENSIONS

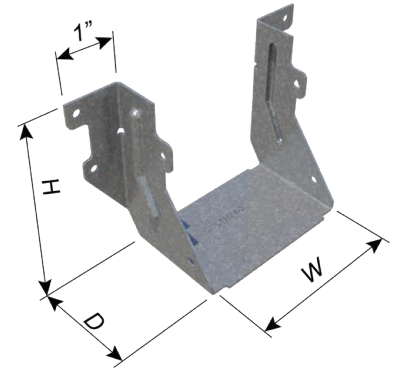
JOIST SIZES: Singles and Doubles, 2x4, 2x6, 2x8

CODE REPORT

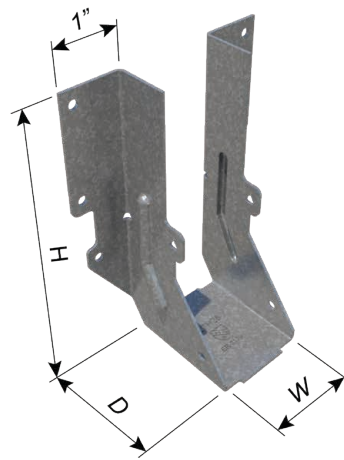
- IAPMO ER-0179
(Excluding CDLTH24-2 & CDLTH26-2)



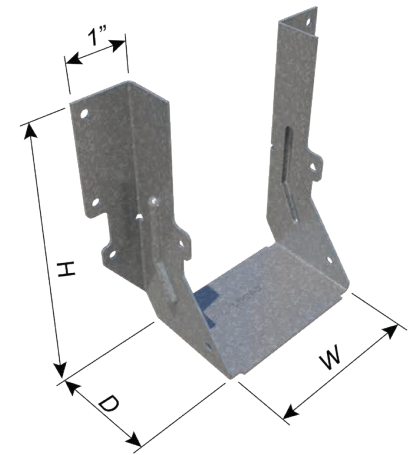
CDLTH24



CDLTH24-2



CDLTH26



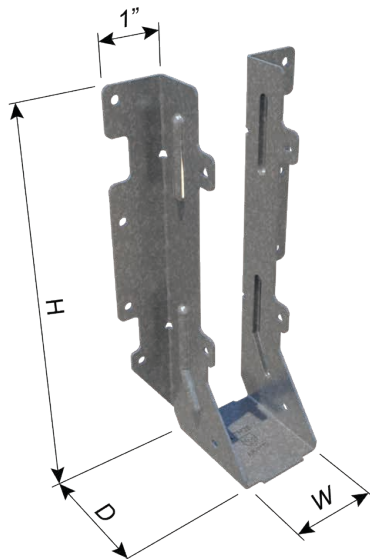
CDLTH26-2



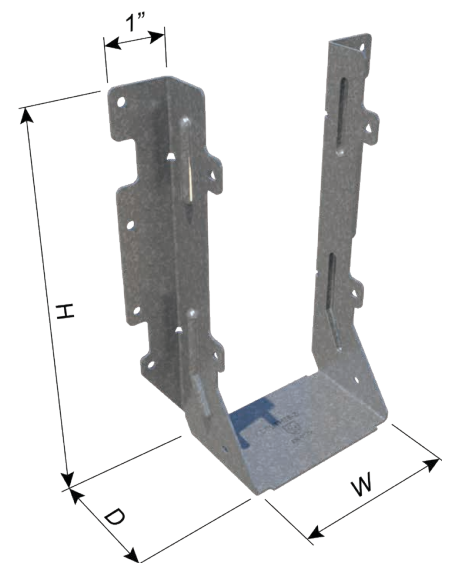
CDLTH28 Installation



CDLTH28-2 Installation



CDLTH28



CDLTH28-2

Light Duty Face-Mount Hangers (CDLTH)

Spruce Pine-Fir (0.42 Specific Gravity)

Product Code	Fastening	Total Supported Breadth (in)	Hanger Dimension (in)			Common Nail Type Fasteners				Allowable Downward Loads				Allowable Upward Loads				
			Clear Width	Overall Height	Overall Depth	Joist Size	Joist Qty.	Header Size	Header Qty.		Load Duration Factor				Load Duration Factor			
									@ 90 deg.	@ 45 deg.	1.00	1.15	1.25	1.60	1.00	1.15	1.25	1.60
CDLTH24	Standard	1.50	1.5625	3.1875	2.25	0.148" x 1.5"	2	0.148" x 1.5"	4	0	390	450	490	515	--	--	--	--
	Enhanced Joist						4		0	390	450	490	515	390	450	490	515	
	Enhanced Header						2		2	585	640	640	640	--	--	--	--	
	Enhanced Joist and Header						4		2	585	640	640	640	390	450	490	625	
CDLTH26	Standard	1.50	1.5625	4.7500	2.25	0.148" x 1.5"	2	0.148" x 1.5"	6	0	585	675	730	835	--	--	--	--
	Enhanced Joist						4		0	585	675	730	835	390	450	490	625	
	Enhanced Header						2		2	780	895	955	955	--	--	--	--	
	Enhanced Joist and Header						4		2	780	895	955	955	390	450	490	625	
CDLTH28	Standard	1.50	1.5625	6.6875	2.25	0.148" x 1.5"	2	0.148" x 1.5"	8	0	780	895	975	1085	--	--	--	--
	Enhanced Joist						6		0	780	895	975	1085	585	675	730	935	
	Enhanced Header						2		4	1095	1095	1095	1095	--	--	--	--	
	Enhanced Joist and Header						6		4	1095	1095	1095	1095	585	675	730	935	
CDLTH28-2	Standard	3.00	3.1250	6.6875	2.25	0.148" x 1.5"	2	0.148" x 1.5"	8	0	780	895	975	1085	--	--	--	--
	Enhanced Joist						6		0	780	895	975	1085	585	675	730	935	
	Enhanced Header						2		4	1085	1085	1085	1085	--	--	--	--	
	Enhanced Joist and Header						6		4	1085	1085	1085	1085	585	675	730	935	

Douglas Fir-Larch (0.50 Specific Gravity)

Product Code	Fastening	Total Supported Breadth (in)	Hanger Dimension (in)			Common Nail Type Fasteners				Allowable Downward Loads				Allowable Upward Loads				
			Clear Width	Overall Height	Overall Depth	Joist Size	Joist Qty.	Header Size	Header Qty.		Load Duration Factor				Load Duration Factor			
									@ 90 deg.	@ 45 deg.	1.00	1.15	1.25	1.60	1.00	1.15	1.25	1.60
CDLTH24	Standard	1.50	1.5625	3.1875	2.25	0.148" x 1.5"	2	0.148" x 1.5"	4	0	455	515	515	515	--	--	--	--
	Enhanced Joist						4		0	455	515	515	515	455	515	515	515	
	Enhanced Header						2		2	640	640	640	640	--	--	--	--	
	Enhanced Joist and Header						4		2	640	640	640	640	455	520	570	640	
CDLTH26	Standard	1.50	1.5625	4.7500	2.25	0.148" x 1.5"	2	0.148" x 1.5"	6	0	680	785	835	835	--	--	--	--
	Enhanced Joist						4		0	680	785	835	835	455	520	570	725	
	Enhanced Header						2		2	910	955	955	955	--	--	--	--	
	Enhanced Joist and Header						4		2	910	955	955	955	455	520	570	725	
CDLTH28	Standard	1.50	1.5625	6.6875	2.25	0.148" x 1.5"	2	0.148" x 1.5"	8	0	910	1045	1085	1085	--	--	--	--
	Enhanced Joist						6		0	910	1045	1085	1085	680	785	850	1085	
	Enhanced Header						2		4	1095	1095	1095	1095	--	--	--	--	
	Enhanced Joist and Header						6		4	1095	1095	1095	1095	680	785	850	1090	
CDLTH28-2	Standard	3.00	3.1250	6.6875	2.25	0.148" x 1.5"	2	0.148" x 1.5"	8	0	910	1045	1085	1085	--	--	--	--
	Enhanced Joist						6		0	910	1045	1085	1085	680	785	850	1085	
	Enhanced Header						2		4	1085	1085	1085	1085	--	--	--	--	
	Enhanced Joist and Header						6		4	1085	1085	1085	1085	680	785	850	1085	

Notes:

- 1 For SI units: 1 inch = 25.4 mm, 1 pound (lb) = 4.4 N
- 2 Allowable load capacities are based on specie and load duration factor as permitted by applicable building code.
- 3 Load values for CDLTH24-2 and CDLTH26-2 currently not available.

Light Duty Face-Mount Hangers

Light Duty Face-Mount Hangers (CDLTH)

Southern Pine (0.55 Specific Gravity)

Product Code	Fastening	Total Supported Breadth (in)	Hanger Dimension (in)			Common Nail Type Fasteners			Allowable Downward Loads				Allowable Upward Loads					
			Clear Width	Overall Height	Overall Depth	Joist Size	Joist Qty.	Header Size	Header Qty.		Load Duration Factor				Load Duration Factor			
									@ 90 deg.	@ 45 deg.	1.00	1.15	1.25	1.60	1.00	1.15	1.25	1.60
CDLTH24	Standard	1.50	1.5625	3.1875	2.25	0.148" x 1.5"	2	0.148" x 1.5"	4	0	495	515	515	515	--	--	--	--
	Enhanced Joist								4	0	495	515	515	515	495	515	515	515
	Enhanced Header								4	2	640	640	640	640	--	--	--	--
	Enhanced Joist and Header								4	2	640	640	640	640	495	565	615	640
CDLTH26	Standard	1.50	1.5625	4.7500	2.25	0.148" x 1.5"	2	0.148" x 1.5"	6	0	740	835	835	835	--	--	--	--
	Enhanced Joist								6	0	740	835	835	835	495	565	615	790
	Enhanced Header								6	2	955	955	955	955	--	--	--	--
	Enhanced Joist and Header								6	2	955	955	955	955	495	565	615	790
CDLTH28	Standard	1.50	1.5625	6.6875	2.25	0.148" x 1.5"	2	0.148" x 1.5"	8	0	985	1085	1085	1085	--	--	--	--
	Enhanced Joist								8	0	985	1085	1085	1085	740	850	925	1085
	Enhanced Header								8	4	1095	1095	1095	1095	--	--	--	--
	Enhanced Joist and Header								8	4	1095	1095	1095	1095	740	850	925	1095
CDLTH28-2	Standard	3.00	3.1250	6.6875	2.25	0.148" x 1.5"	2	0.148" x 1.5"	8	0	985	1085	1085	1085	--	--	--	--
	Enhanced Joist								8	0	985	1085	1085	1085	740	850	925	1085
	Enhanced Header								8	4	1085	1085	1085	1085	--	--	--	--
	Enhanced Joist and Header								8	4	1085	1085	1085	1085	740	850	925	1085

Notes:

- 1 For SI units: 1 inch = 25.4 mm, 1 pound (lb) = 4.4 N
- 2 Allowable load capacities are based on specie and load duration factor as permitted by applicable building code.
- 3 Load values for CDLTH24-2 and CDLTH26-2 currently not available.