

Load Share Clip

The CDLSC load share clip series is manufactured to transfer loads between two truss or framing ply members made of solid sawn or structural composite lumber.

MATERIAL SPECIFICATIONS

Gauge: 18ga (43mil)

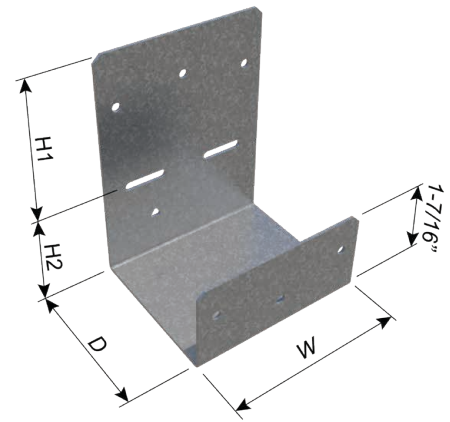
Design Thickness: 0.0451 inches

Coating: G90 (Z275) hot-dipped galvanized coating

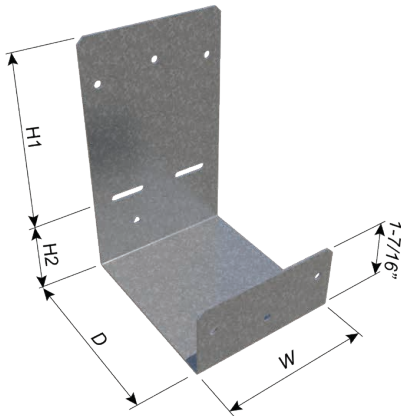
Yield Strength: Structural Grade 50 Type H (ST50H), 50ksi (340 MPa)

CODE REPORT

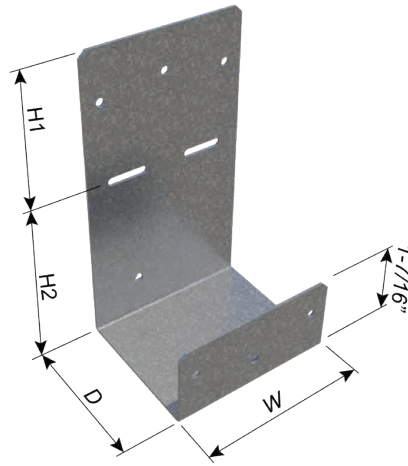
- IAPMO ER-0176



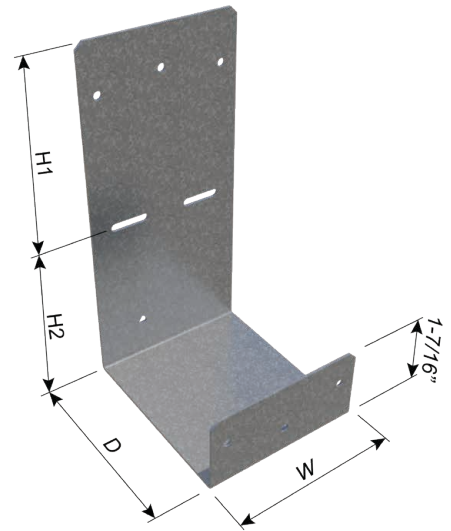
CDLSC32



CDLSC42



CDLSC32-2



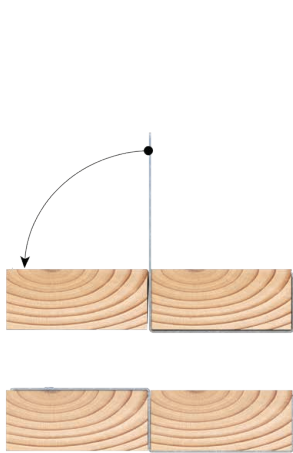
CDLSC42-2

Load Share Clip (CDLSC)

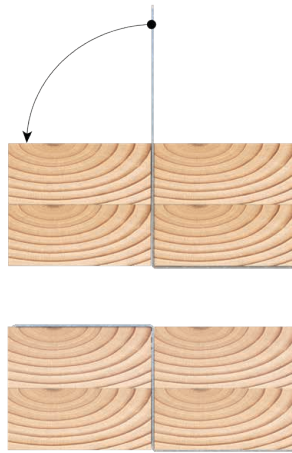
Product code	Overall Dimensions (in)				Size	Fasteners		Allowable Downward Loads (lbs)											
	Width W (in)	Height 1 H1 (in)	Height 2 H2 (in)	Depth D (in)		Quantity		Spruce Pine-Fir (0.42 Specific Gravity)				Douglas Fir-Larch (0.50 Specific Gravity)				Southern Pine (0.55 Specific Gravity)			
						Supporting Member	Supported Member	Load Duration Factor				Load Duration Factor				Load Duration Factor			
	1.00	1.15	1.25	1.60				1.00	1.15	1.25	1.60	1.00	1.15	1.25	1.60				
CDLSC32	3	2-7/16	1-1/2	2-1/2	0.131" x 1.5"	3	3	565	565	565	565	770	770	770	770	900	900	900	900
CDLSC32-2	3	2-7/16	3	2-1/2	0.131" x 1.5"	3	3	565	565	565	565	770	770	770	770	900	900	900	900
CDLSC42	3	3-7/16	1-1/2	3-1/2	0.131" x 1.5"	3	3	565	565	565	565	770	770	770	770	900	900	900	900
CDLSC42-2	3	3-7/16	3	3-1/2	0.131" x 1.5"	3	3	565	565	565	565	770	770	770	770	900	900	900	900

Notes:

- 1 Allowable Load Capacities based on the Tabulated Species and Load Duration Factor.
- 2 Products shown in table are made of No. 18 gauge steel.



CDLSC Installation



CDLSC Installation

