

Hurricane Tie

Designed to hold trusses on both sides to transfer uplift loads from roof framing members to the wall studs.

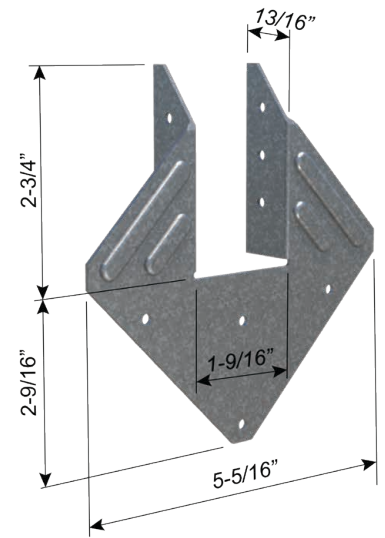
MATERIAL SPECIFICATIONS

Gauge: 18ga (43mil)

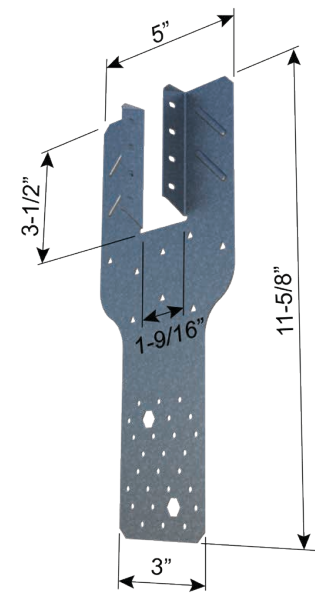
Design Thickness: 0.0451 inches

Coating: G90 (Z275) hot-dipped galvanized coating

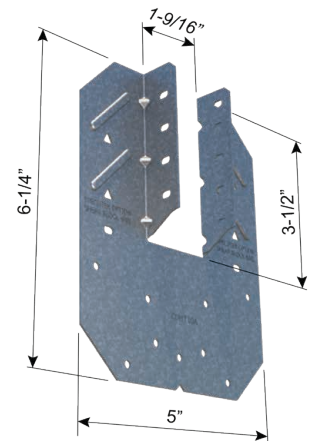
Yield Strength: Structural Grade 50 Type H (ST50H), 50ksi (340 MPa)



CDHT1



CDHT10S



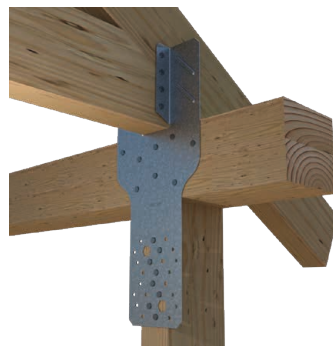
CDHT10A

Hurricane Tie (CDHT)

Product Code	Size
CDHT1	1-9/16" x 5-5/16"
CDHT10A	1-9/16" x 6-1/4"
CDHT10S	1-9/16" x 11-5/8"



CDHT1 Installation



CDHT10S Installation



CDHT10A Installation