

"L" and "T" Strap Ties

Economical braces are ideal for gates, patio covers, joining posts and columns to headers, beams and other applications where added reinforcement is needed. Braces may be bolted for heavy-duty applications.

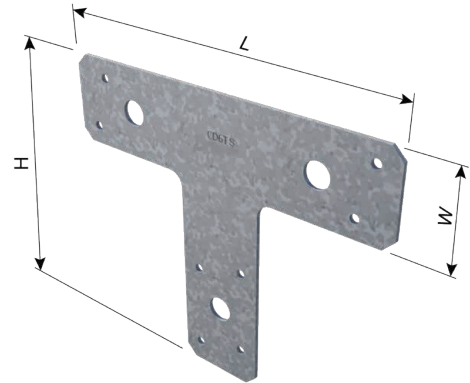
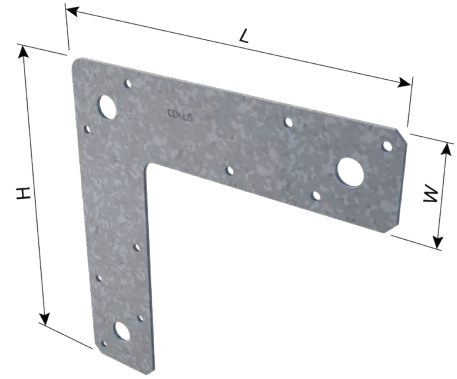
MATERIAL SPECIFICATIONS

Gauge: 14ga (68mil)

Design Thickness: 0.0713 inches

Coating: G90 (Z275) hot-dipped galvanized coating

Yield Strength: Structural Grade 50 Type H (ST50H), 50ksi (340 MPa)



"L" and "T" Strap Ties (CD6LS, CD6TS)

Product Code	Gauge	L	H	W
CD6LS	14	6"	6"	1-1/2"
CD6TS	14	6"	5"	1-1/2"



CD6LS Installation



CD6TS Installation