

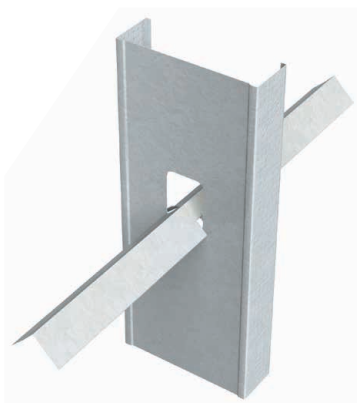
Spazzer® 9200 Spacer Bar

Facilitates the rapid erection of interior, nonload-bearing, nonstructural studs into a rigid, accurately laid out gridwork.

The TradeReady® Spazzer® 9200 spacer bar is a prenotched, 20 gauge, galvanized steel spacer and bridging bar. The Spazzer 9200 bar facilitates rapid erection of studs into a rigid, accurately laid out gridwork that has excellent resistance to stud rotation and displacement. Hanging drywall is also faster and easier because the Spazzer 9200 bar eliminates the bow that often occurs in tall interior studs. TradeReady Spazzer 9200 bar is a 20 gauge bar that is 50" long and prenotched to hold studs rigidly on 16" or 24" centers. The slots have been pre-engineered to hold studs in place by utilizing "shear" to bridge studs into a rigid gridwork. Eliminates clip angles and saves up to 40% in combined labor and material costs.

ALTERNATIVE PRODUCTS

U-Channel with EasyClip™ U-Series™ Clip Angle
 U-Channel with SwiftClip™ LS-Series™ Support Clip
 Spazzer® 5400 Spacer Bar



PRODUCT DIMENSIONS

7/8" x 7/8" x 50"

MATERIAL SPECIFICATIONS

Gauge: 20 gauge (33mil)

Design Thickness: 0.0346 inches

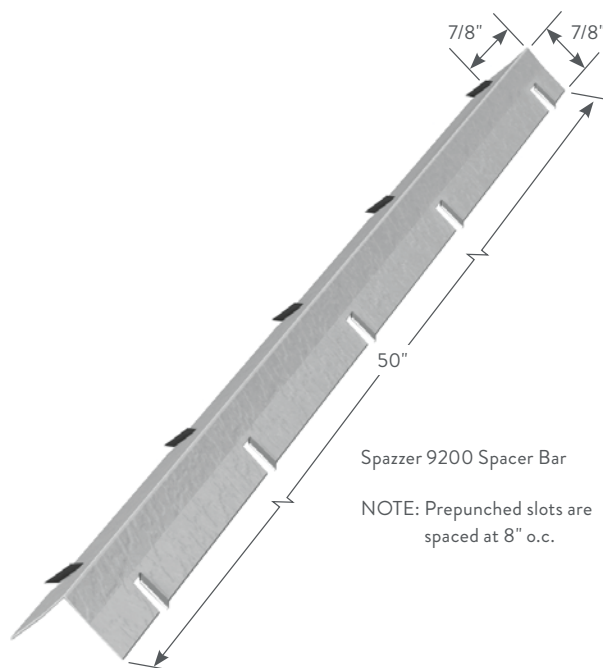
Coating: G40

Yield Strength: 33ksi

ASTM: C645, A653/A653M

INSTALLATION

Insert the prenotched, 50" Spazzer bar through the appropriate stud punchouts and rotate the bridging bar to engage or grip the stud. Use the prenotched slots to automatically lay out studs on 16" or 24" centers. Press the Spazzer bar firmly into place. Overlap the last slot with the next piece of Spazzer and continue to repeat the process.



Spazzer 9200 Spacer Bar

NOTE: Prenotched slots are spaced at 8" o.c.

Spazzer® 9200 Spacer Bar (SPZD)

Product code	Thickness		Size (in)	Packaging	
	Mils (Gauge)	Design thickness (in)		Pcs./ Carton	Pcs./ Skid
SPZD	33mil (20ga)	0.0346	7/8 x 7/8 x 50	25	1350