

Pony Wall Lite (16ga)

Partial wall framing connection to the floor

The ClarkDietrich Pony Wall Lite is intended to support out-of-plane loading of cantilevered partial wall systems that are unsupported at the top track. Out-of-plane loads are transferred to the floor system through the base-plate, which is welded to the Pony Wall Lite stud member.

PRODUCT DIMENSIONS

LGPW24 = 23-5/8" tall with 2-3/8" wide x 5-1/2" long plate
 LGPW36 = 35-5/8" tall with 2-3/8" wide x 5-1/2" long plate
 LGPW48 = 47-5/8" tall with 2-3/8" wide x 5-1/2" long plate
 LGPW60 = 59-5/8" tall with 2-3/8" wide x 5-1/2" long plate

MATERIAL SPECIFICATIONS

Plate Material: ASTM A36 thick hot rolled steel

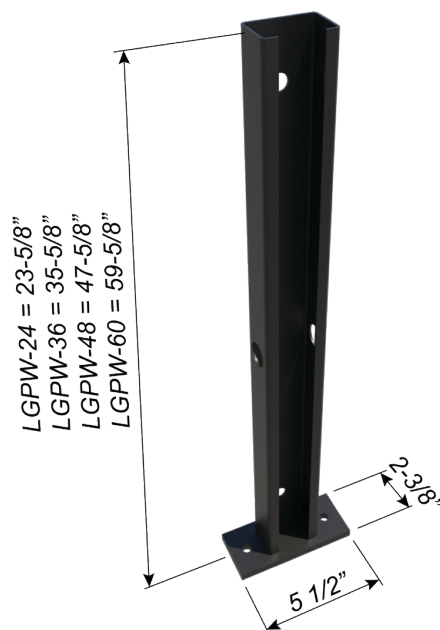
Stud Material: Structural Grade 50 Type H (ST50H), 50ksi (340 MPa)
 16ga (54mil), 0.0566" Design thickness, 0.0538" Min. thickness

Packaging: Individually

ASTM: A36, A653/A653M, A1003

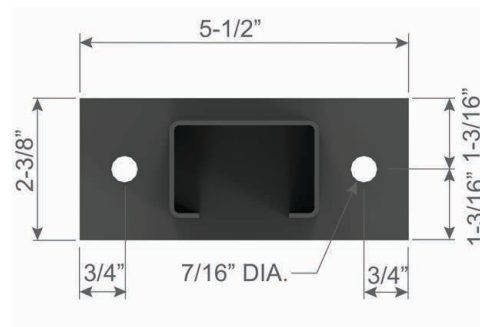
INSTALLATION

Install the Pony Wall Lite inside the track or directly to the floor structure. Anchor to the floor as designed by EOR. Attach the studs to both flanges of the Pony Wall Lite. A minimum of 2-1/2" stud member can be used.



Pony Wall Lite (LGPW)

Product code	Thickness		Size (in)	Packaging
	Mils (Gauge)	Design thickness (in)		
LGPW24	54mil (16ga)	0.0566	23-5/8"	Individually
LGPW36			35-5/8"	
LGPW48			47-5/8"	
LGPW60			59-5/8"	



Pony Wall Lite (LGPW) Allowable Loads

CONCENTRATED LOAD AT FREE END

MATERIAL SPECIFICATION:

PONY WALL LITE STUD

Material Thickness: 16ga (54mil), 0.0566" design thickness

Material Strength: Structural grade 50, 50ksi minimum yield strength

ASTM: A653/A653M, A1003/A1003M

PONY WALL LITE BASE PLATE

Material Thickness: 3/8" minimum thickness

Material Strength: 36ksi minimum yield strength

ASTM: A36/A36M



Pony Wall Lite (LGPW) Allowable Loads

CONCENTRATED LOAD AT FREE END

Member designation	Pony Wall Length (in)	Max point load @ cantilever end, lbs			Moment (ASD) due to point load, in-lbs		
		L/240	L/180	Max	L/240	L/180	Max
Pony Wall Lite	24	86	115	177	2074	2766	4253
	36	38	51	118	1383	1844	4253
	48	22	29	89	1037	1383	4253
	60	14	18	71	830	1106	4253

Notes:

- 1 Pony Wall Lite is intended to support out-of-plane loading of cantilevered partial wall systems that are unsupported at the top track.
- 2 Out-of-plane loads are transferred to the floor system through the base-plate, which is welded to Pony Wall Lite member.
- 3 Pony Wall Lite may be used in place of standard framing members, or in conjunction with them to frame the wall.
- 4 Listed allowable loads are based on Allowable Stress Design (ASD).
- 5 Base connection between Pony Wall Lite and support structure are designed by others.
- 6 For serviceability/deflection calculations of Pony Wall Lite, use effective moment of inertia = 0.1350 in⁴ (54mil), 0.1626in⁴ (68mil)
- 7 Listed maximum point load @ cantilever end calculated using maximum allowable moment. When both point load and uniform loads are applied, combined loads should be limited to maximum allowable moment.
- 8 It is the responsibility of the designer to properly detail connections on the contract drawings.

Pony Wall Lite (LGPW) Allowable Loads w/Anchors

CONCENTRATED LOAD AT FREE END

Member designation	Pony Wall length, in	Anchors to structure	No. of Anchors	Max point load @ cantilever end, lbs			Allowable base moment, in-lbs		
				L/240	L/180	Max	L/240	L/180	Max
LGPW24	24	3/8" ϕ Hilti Kwik Bolt-3 (2-3/8" Nominal Embedment, 3000psi Uncracked concrete)	2	83	83	83	1984	1984	1984
LGPW36	36			38	51	55	1383	1844	1984
LGPW48	48			22	29	41	1037	1383	1984
LGPW60	60			14	18	33	830	1106	1984

Notes:

- 1 Pony Wall Lite is intended to support out-of-plane loading of cantilevered partial wall systems that are unsupported at the top track.
- 2 Out-of-plane loads are transferred to the floor system through base-plate, which is welded to Pony Wall Lite member.
- 3 Pony Wall Lite may be used in place of standard framing members, or in conjunction with them to frame the wall.
- 4 Listed allowable loads are based on Allowable Stress Design (ASD).
- 5 For serviceability/deflection calculations of Pony Wall Lite, use effective moment of inertia = 0.1350 in⁴ (54mil), 0.1626in⁴ (68mil)
- 6 Above listed capacities w/anchors shall be used only when using 3/8" ϕ Hilti Kwik Bolt-3 anchors to concrete.
- 7 Other anchors may be used to achieve full Pony Wall Lite capacity, but must be designed separately.
- 8 Above listed capacities have not been increased for wind, seismic, or other factors.
- 9 Hilti is a registered trademark of Hilti Aktiengesellschaft Corporation.
- 10 It is the designer's responsibility to check for minimum concrete edge distance and minimum concrete thickness when using anchors.
- 11 It is the responsibility of the designer to properly detail connections on the contract drawings.



(2) Anchors to structure

Pony Wall Lite (16ga)

Pony Wall Lite (LGPW) Allowable Loads

MAXIMUM ALLOWABLE LOADS

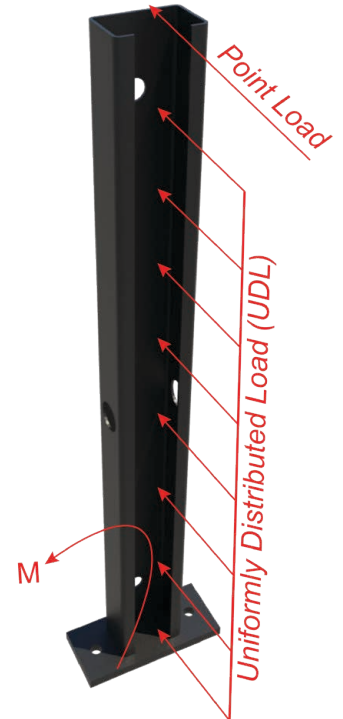
MATERIAL SPECIFICATION:

PONY WALL LITE STUD

Material Thickness: 16ga (54mil), 0.0566" design thickness
Material Strength: Structural grade 50, 50ksi minimum yield strength
ASTM: A653/A653M, A1003/A1003M

PONY WALL LITE BASE PLATE

Material Thickness: 3/8" minimum thickness
Material Strength: 36ksi minimum yield strength
ASTM: A36/A36M

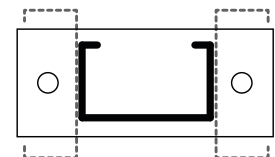


Pony Wall Lite (LGPW) Allowable Loads

Member designation	Pony Wall Length (in)	Anchors to structure	Strength based capacity (ASD)		
			Allowable moment, in-lbs	Max point load @ cantilever end, lbs	Max uniform live (UDL) load, lbs/ft
Pony Wall Lite	24	Designed by others	4253	177	177
	36			118	79
	48			89	44
	60			71	28

Notes:

- 1 Pony Wall Lite is intended to support out-of-plane loading of cantilevered partial wall systems that are unsupported at the top track.
- 2 Out-of-plane loads are transferred to the floor system through the base-plate, which is welded to Pony Wall Lite member.
- 3 Pony Wall Lite may be used in place of standard framing members, or in conjunction with them to frame the wall.
- 4 Listed allowable loads are based on Allowable Stress Design (ASD).
- 5 Base connection between Pony Wall Lite and support structure are designed by others.
- 6 For serviceability/deflection calculations of Pony Wall Lite, use effective moment of inertia = 0.1350 in⁴ (54mil), 0.1626in⁴ (68mil)
- 7 Listed maximum point load @ cantilever end calculated using maximum allowable moment. Similarly, listed maximum uniformly distributed load calculated using maximum allowable moment. When both point load and uniform loads are applied, combined loads should be limited to maximum allowable moment.
- 8 It is the responsibility of the designer to properly detail connections on the contract drawings.



Uniformly distributed loads are based on framing members placed on each side of the Pony Wall

Pony Wall Lite (LGPW) Allowable Loads w/Anchors

Member designation	Anchors to structure	Strength based capacity (ASD)	
		No. of Anchors to Structure	Allowable base moment, in-lbs
LGPW24, LGPW36, LGPW48, LGPW60	3/8" ϕ Hilti Kwik Bolt-3 (2-3/8" Nominal Embedment, 3000psi Uncracked concrete)	2	1984

Notes:

- 1 Pony Wall Lite is intended to support out-of-plane loading of cantilevered partial wall systems that are unsupported at the top track.
- 2 Out-of-plane loads are transferred to the floor system through base-plate, which is welded to Pony Wall Lite member.
- 3 Pony Wall Lite may be used in place of standard framing members, or in conjunction with them to frame the wall.
- 4 Listed allowable loads are based on Allowable Stress Design (ASD).
- 5 For serviceability/deflection calculations of Pony Wall Lite, use effective moment of inertia = 0.1350 in⁴ (54mil), 0.1626in⁴ (68mil)
- 6 Above listed capacities w/anchors shall be used only when using 3/8" ϕ Hilti Kwik Bolt-3 anchors to concrete.
- 7 Other anchors may be used to achieve full Pony Wall Lite capacity, but must be designed separately.
- 8 Above listed capacities have not been increased for wind, seismic, or other factors.
- 9 Hilti is a registered trademark of Hilti Aktiengesellschaft Corporation.
- 10 It is the designer's responsibility to check for minimum concrete edge distance and minimum concrete thickness when using anchors.
- 11 It is the responsibility of the designer to properly detail connections on the contract drawings.



(2) Anchors to structure

Pony Wall Lite (LGPW) Allowable Loads **UNIFORMLY DISTRIBUTED LOAD**

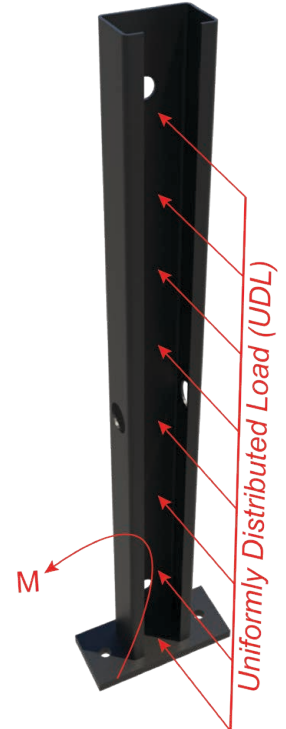
MATERIAL SPECIFICATION:

PONY WALL LITE STUD

Material Thickness: 16ga (54mil), 0.0566" design thickness
Material Strength: Structural grade 50, 50ksi minimum yield strength
ASTM: A653/A653M, A1003/A1003M

PONY WALL LITE BASE PLATE

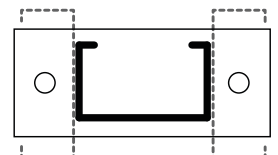
Material Thickness: 3/8" minimum thickness
Material Strength: 36ksi minimum yield strength
ASTM: A36/A36M



Pony Wall Lite (LGPW) Allowable Loads		UNIFORMLY DISTRIBUTED LOAD					
Member designation	Pony Wall Length (in)	Uniformly distributed load, lbs/ft			Moment (ASD) due to uniform load, in-lbs		
		L/240	L/180	Max	L/240	L/180	Max
Pony Wall Lite	24	115	154	177	2766	3688	4253
	36	34	46	79	1844	2458	4253
	48	14	19	44	1383	1844	4253
	60	7	10	28	1106	1475	4253

Notes:

- 1 Pony Wall Lite is intended to support out-of-plane loading of cantilevered partial wall systems that are unsupported at the top track.
- 2 Out-of-plane loads are transferred to the floor system through the base-plate, which is welded to Pony Wall Lite member.
- 3 Pony Wall Lite may be used in place of standard framing members, or in conjunction with them to frame the wall.
- 4 Listed allowable loads are based on Allowable Stress Design (ASD).
- 5 Base connection between Pony Wall Lite and support structure are designed by others.
- 6 For serviceability/deflection calculations of Pony Wall Lite, use effective moment of inertia = 0.1350 in⁴ (54mil), 0.1626in⁴ (68mil)
- 7 Listed maximum uniformly distributed load calculated using maximum allowable moment. When both point load and uniform loads are applied, combined loads should be limited to maximum allowable moment.
- 8 It is the responsibility of the designer to properly detail connections on the contract drawings.



Uniformly distributed loads are based on framing members placed on each side of the Pony Wall

Pony Wall Lite (LGPW) Allowable Loads w/Anchors		UNIFORMLY DISTRIBUTED LOAD							
Member designation	Pony Wall length, in	Anchors to structure	No. of Anchors	Uniformly distributed loads, lbs/ft			Allowable base moment, in-lbs		
				L/240	L/180	Max	L/240	L/180	Max
LGPW24	24	3/8" ϕ Hilti Kwik Bolt-3 (2-3/8" Nominal Embedment, 3000psi Uncracked concrete)	2	83	83	83	1984	1984	1984
LGPW36	36			34	37	37	1844	1984	1984
LGPW48	48			14	19	21	1383	1844	1984
LGPW60	60			7	10	13	1106	1475	1984



(2) Anchors to structure

Notes:

- 1 Pony Wall Lite is intended to support out-of-plane loading of cantilevered partial wall systems that are unsupported at the top track.
- 2 Out-of-plane loads are transferred to the floor system through base-plate, which is welded to Pony Wall Lite member.
- 3 Pony Wall Lite may be used in place of standard framing members, or in conjunction with them to frame the wall.
- 4 Listed allowable loads are based on Allowable Stress Design (ASD).
- 5 For serviceability/deflection calculations of Pony Wall Lite, use effective moment of inertia = 0.1350 in⁴ (54mil), 0.1626in⁴ (68mil)
- 6 Above listed capacities w/anchors shall be used only when using 3/8" ϕ Hilti Kwik Bolt-3 anchors to concrete.
- 7 Other anchors may be used to achieve full Pony Wall Lite capacity, but must be designed separately.
- 8 Above listed capacities have not been increased for wind, seismic, or other factors.
- 9 Hilti is a registered trademark of Hilti Aktiengesellschaft Corporation.
- 10 It is the designer's responsibility to check for minimum concrete edge distance and minimum concrete thickness when using anchors.
- 11 It is the responsibility of the designer to properly detail connections on the contract drawings.