

Pony Wall Heavy (12ga)

Partial wall framing connection to the floor

The ClarkDietrich Pony Wall Heavy is intended to support out-of-plane loading of cantilevered partial wall systems that are unsupported at the top track. Out-of-plane loads are transferred to the floor system through the base-plate, which is welded to the Pony Wall Heavy stud member.

PRODUCT DIMENSIONS

PW24 = 23-3/4" tall with 3-3/8" wide x 8" long plate

PW36 = 35-3/4" tall with 3-3/8" wide x 8" long plate

PW48 = 47-3/4" tall with 3-3/8" wide x 8" long plate

MATERIAL SPECIFICATIONS

Plate Material: ASTM A36 1/2" thick hot rolled steel

Stud Material: Structural Grade 50 Type H (ST50H), 50ksi (340 MPa)
12ga (97mil), 0.1017" Design thickness, 0.0966" Min. thickness

Packaging: Individually

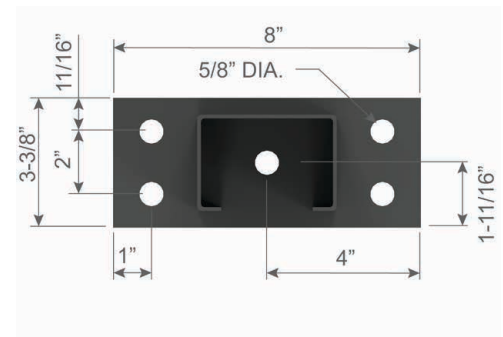
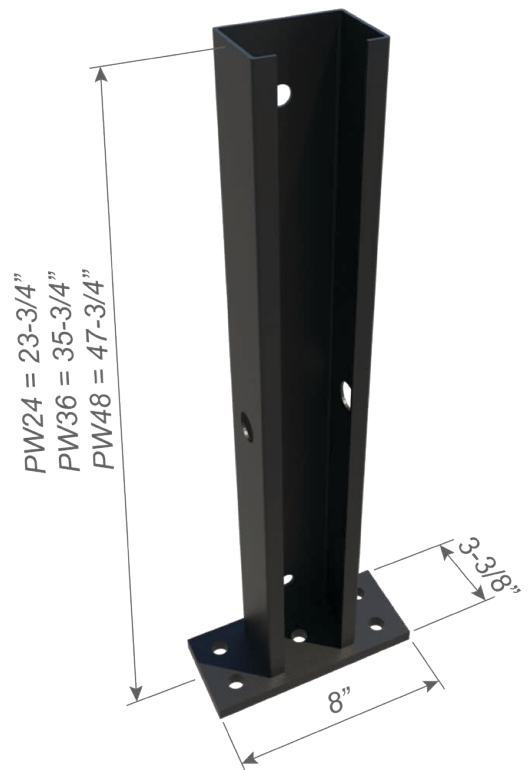
ASTM: A36, A653/A653M, A1003

INSTALLATION

Install the Pony Wall inside the track or directly to the floor structure. Anchor to the floor as designed by EOR. Attach the studs to both flanges of the Pony Wall. A minimum of 3-1/2" stud member can be used.

Pony Wall Heavy (PW)

Product code	Thickness		Size (in)	Packaging
	Mils (Gauge)	Design thickness (in)		
PW24	97mil (12ga)	0.1242	23-3/4"	Individually
PW36			35-3/4"	Individually
PW48			47-3/4"	Individually



Pony Wall Heavy (PW) Allowable Loads

CONCENTRATED LOAD AT FREE END

MATERIAL SPECIFICATION:

PONY WALL HEAVY STUD

Material Thickness: 12ga (97mil), 0.1017" design thickness

Material Strength: Structural grade 50, 50ksi minimum yield strength

ASTM: A653/A653M, A1003/A1003M

PONY WALL HEAVY BASE PLATE

Material Thickness: 1/2" minimum thickness

Material Strength: 36ksi minimum yield strength

ASTM: A36/A36M



Pony Wall Heavy (PW) Allowable Loads

CONCENTRATED LOAD AT FREE END

Member designation	Pony Wall Length (in)	Max point load @ cantilever end, lbs					Moment (ASD) due to point load, in-lbs				
		L/720	L/360	L/240	L/180	Max	L/720	L/360	L/240	L/180	Max
Pony Wall Heavy	24	165	330	495	661	763	3,964	7,927	11,891	15,854	18,316
	36	73	147	220	294	509	2,642	5,285	7,927	10,569	18,316
	48	41	83	124	165	382	1,982	3,964	5,945	7,927	18,316

Notes:

- ClarkDietrich Pony Wall Heavy is intended to support out-of-plane loading of cantilevered partial wall systems that are unsupported at the top track.
- Out-of-plane loads are transferred to the floor system through the base-plate, which is welded to Pony Wall Heavy member.
- ClarkDietrich Pony Wall Heavy is used in conjunction with structural or non-structural studs to frame the wall.
- Listed allowable loads are based on Allowable Stress Design (ASD).
- Base connection between ClarkDietrich Pony Wall Heavy and support structure are designed by others.
- For serviceability/deflection calculations of ClarkDietrich Pony Wall Heavy, use effective moment of inertia = 0.7739 in⁴.
- Listed maximum point load at cantilever end calculated using maximum allowable moment. When both point load and uniform loads are applied, combined loads should be limited to maximum allowable moment.
- It is the responsibility of the designer to properly detail connections on the contract drawings.

Pony Wall Heavy (PW) Allowable Loads w/Anchors

CONCENTRATED LOAD AT FREE END

Member designation	Pony Wall length, in	Anchors to structure	No. of Anchors	Max point load @ cantilever end, lbs					Allowable base moment, in-lbs				
				L/720	L/360	L/240	L/180	Max	L/720	L/360	L/240	L/180	Max
PW24	24	1/2" ϕ Hilti Kwik Bolt-3 (3-1/2" Nominal Embedment, 3000psi Uncracked concrete)	1	142	142	142	142	142	3,403	3,403	3,403	3,403	3,403
			4	165	330	452	452	452	3,964	7,927	10,840	10,840	10,840
PW36	36		1	73	95	95	95	95	2,642	3,403	3,403	3,403	3,403
			4	73	147	220	294	301	2,642	5,285	7,927	10,569	10,840
PW48	48		1	41	71	71	71	71	1,982	3,403	3,403	3,403	3,403
			4	41	83	124	165	226	1,982	3,964	5,945	7,927	10,840

Notes:

- ClarkDietrich Pony Wall Heavy is intended to support out-of-plane loading of cantilevered partial wall systems that are unsupported at the top track.
- Out-of-plane loads are transferred to the floor system through base-plate, which is welded to Pony Wall member.
- ClarkDietrich Pony Wall Heavy is used in conjunction with structural or non-structural studs to frame the wall.
- Listed allowable loads are based on Allowable Stress Design (ASD).
- For serviceability/deflection calculations of ClarkDietrich Pony Wall Heavy, use effective moment of inertia = 0.7739 in⁴.
- Above listed capacities w/anchors shall be used only when using 1/2" ϕ Hilti Kwik Bolt-3 anchors to concrete.
- Other anchors may be used to achieve full Pony Wall Heavy capacity, but must be designed separately.
- Above listed capacities have not been increased for wind, seismic, or other factors.
- Hilti is a registered trademark of Hilti Aktiengesellschaft Corporation.
- It is the designer's responsibility to check for minimum concrete edge distance and minimum concrete thickness when using anchors.
- It is the responsibility of the designer to properly detail connections on the contract drawings.



(1) Anchor to structure



(4) Anchors to structure

Pony Wall Heavy (12ga)

Pony Wall Heavy (PW) Allowable Loads

MAXIMUM ALLOWABLE LOADS

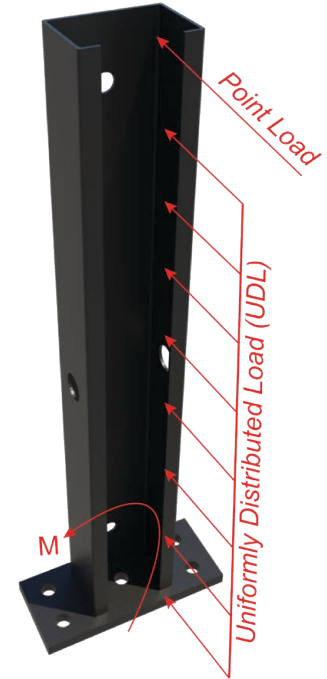
MATERIAL SPECIFICATION:

PONY WALL HEAVY STUD

Material Thickness: 12ga (97mil), 0.1017" design thickness
Material Strength: Structural grade 50, 50ksi minimum yield strength
ASTM: A653/A653M, A1003/A1003M

PONY WALL HEAVY BASE PLATE

Material Thickness: 1/2" minimum thickness
Material Strength: 36ksi minimum yield strength
ASTM: A36/A36M

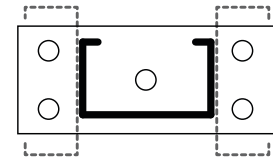


Pony Wall Heavy (PW) Allowable Loads

Member designation	Pony Wall Length (in)	Anchors to structure	Strength based capacity (ASD)		
			Allowable moment, in-lbs	Max point load @ cantilever end, lbs	Max uniform live (UDL) load, lbs/ft
Pony Wall	24	Designed by others	18,316	763	763
	36			509	339
	48			382	191

Notes:

- ClarkDietrich Pony Wall Heavy is intended to support out-of-plane loading of cantilevered partial wall systems that are unsupported at the top track.
- Out-of-plane loads are transferred to the floor system through the base-plate, which is welded to Pony Wall Heavy member.
- ClarkDietrich Pony Wall Heavy is used in conjunction with structural or non-structural studs to frame the wall.
- Listed allowable loads are based on Allowable Stress Design (ASD).
- Base connection between ClarkDietrich Pony Wall Heavy and support structure are designed by others.
- For serviceability/deflection calculations of ClarkDietrich Pony Wall Heavy, use effective moment of inertia = 0.7739 in⁴.
- Listed maximum point load at cantilever end calculated using maximum allowable moment. Similarly, listed maximum uniformly distributed load calculated using maximum allowable moment. When both point load and uniform loads are applied, combined loads should be limited to maximum allowable moment.
- It is the responsibility of the designer to properly detail connections on the contract drawings.



Uniformly distributed loads are based on framing members placed on each side of the Pony Wall

Pony Wall Heavy (PW) Allowable Loads w/Anchors

Member designation	Anchors to structure	Strength based capacity (ASD)	
		No. of Anchors to Structure	Allowable base moment, in-lbs
PW24 / PW36 / PW48	1/2" ϕ Hilti Kwik Bolt-3 (3-1/2" Nominal Embedment, 3000psi Uncracked concrete)	1	3,403
		4	10,840

Notes:

- ClarkDietrich Pony Wall Heavy is intended to support out-of-plane loading of cantilevered partial wall systems that are unsupported at the top track.
- Out-of-plane loads are transferred to the floor system through base-plate, which is welded to Pony Wall Heavy member.
- ClarkDietrich Pony Wall Heavy is used in conjunction with structural or non-structural studs to frame the wall.
- Listed allowable loads are based on Allowable Stress Design (ASD).
- For serviceability/deflection calculations of ClarkDietrich Pony Wall Heavy, use effective moment of inertia = 0.7739 in⁴.
- Above listed capacities w/anchors shall be used only when using 1/2" ϕ Hilti Kwik Bolt-3 anchors to concrete.
- Other anchors may be used to achieve full Pony Wall Heavy capacity, but must be designed separately.
- Above listed capacities have not been increased for wind, seismic, or other factors.
- Hilti is a registered trademark of Hilti Aktiengesellschaft Corporation.
- It is the designer's responsibility to check for minimum concrete edge distance and minimum concrete thickness when using anchors.
- It is the responsibility of the designer to properly detail connections on the contract drawings.



(1) Anchor to structure



(4) Anchors to structure

Pony Wall Heavy (PW) Allowable Loads

UNIFORMLY DISTRIBUTED LOAD

MATERIAL SPECIFICATION:

PONY WALL HEAVY STUD

Material Thickness: 12ga (97mil), 0.1017" design thickness

Material Strength: Structural grade 50, 50ksi minimum yield strength

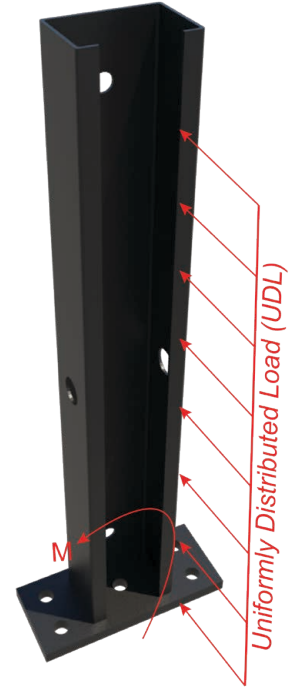
ASTM: A653/A653M, A1003/A1003M

PONY WALL HEAVY BASE PLATE

Material Thickness: 1/2" minimum thickness

Material Strength: 36ksi minimum yield strength

ASTM: A36/A36M



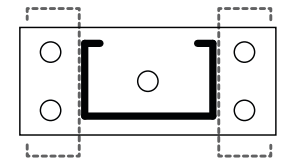
Pony Wall Heavy (PW) Allowable Loads

UNIFORMLY DISTRIBUTED LOAD

Member designation	Pony Wall Length (in)	Uniformly distributed load, lbs/ft					Moment (ASD) due to uniform load, in-lbs				
		L/720	L/360	L/240	L/180	Max	L/720	L/360	L/240	L/180	Max
Pony Wall Heavy	24	220	440	661	763	763	5,285	10,569	15,854	18,316	18,316
	36	65	130	196	261	339	3,523	7,046	10,569	14,093	18,316
	48	28	55	83	110	191	2,642	5,285	7,927	10,569	18,316

Notes:

- ClarkDietrich Pony Wall Heavy is intended to support out-of-plane loading of cantilevered partial wall systems that are unsupported at the top track.
- Out-of-plane loads are transferred to the floor system through the base-plate, which is welded to Pony Wall member.
- ClarkDietrich Pony Wall Heavy is used in conjunction with structural or non-structural studs to frame the wall.
- Listed allowable loads are based on Allowable Stress Design (ASD).
- Base connection between ClarkDietrich Pony Wall Heavy and support structure are designed by others.
- For serviceability/deflection calculations of ClarkDietrich Pony Wall Heavy, use effective moment of inertia = 0.7739 in⁴.
- Listed maximum point load at cantilever end calculated using maximum allowable moment. When both point load and uniform loads are applied, combined loads should be limited to maximum allowable moment.
- It is the responsibility of the designer to properly detail connections on the contract drawings.



Uniformly distributed loads are based on framing members placed on each side of the Pony Wall

Pony Wall Heavy (PW) Allowable Loads w/Anchors

UNIFORMLY DISTRIBUTED LOAD

Member designation	Pony Wall length, in	Anchors to structure	No. of Anchors	Uniformly distributed loads, lbs/ft					Allowable base moment, in-lbs				
				L/720	L/360	L/240	L/180	Max	L/720	L/360	L/240	L/180	Max
PW24	24	1/2" ϕ Hilti Kwik Bolt-3 (3-1/2" Nominal Embedment, 3000psi Uncracked concrete)	1	142	142	142	142	142	3,403	3,403	3,403	3,403	3,403
			4	220	440	452	452	452	5,285	10,569	10,840	10,840	10,840
PW36	36		1	63	63	63	63	63	3,403	3,403	3,403	3,403	3,403
			4	65	130	196	201	201	3,523	7,046	10,569	10,840	10,840
PW48	48		1	28	35	35	35	35	2,642	3,403	3,403	3,403	3,403
			4	28	55	83	110	113	2,642	5,285	7,927	10,569	10,840

Notes:

- ClarkDietrich Pony Wall is intended to support out-of-plane loading of cantilevered partial wall systems that are unsupported at the top track.
- Out-of-plane loads are transferred to the floor system through base-plate, which is welded to ClarkDietrich Pony Wall member.
- ClarkDietrich Pony Wall may be used in place of standard framing members, or in conjunction with them to frame the wall.
- Listed allowable loads are based on Allowable Stress Design (ASD).
- For serviceability/deflection calculations of ClarkDietrich Pony Wall, use effective moment of inertia = 0.7739 in⁴.
- Above listed capacities w/anchors shall be used only when using 1/2" ϕ Hilti Kwik Bolt-3 anchors to concrete.
- Other anchors may be used to achieve full Pony Wall capacity, but must be designed separately.
- Above listed capacities have not been increased for wind, seismic, or other factors.
- Hilti is a registered trademark of Hilti Aktiengesellschaft Corporation.
- It is the designer's responsibility to check for minimum concrete edge distance and minimum concrete thickness when using concrete anchors.
- It is the responsibility of the designer to properly detail connections on the contract drawings.
- See figure to the right for base-plate anchor configuration.



(1) Anchor to structure



(4) Anchors to structure