

Panel Lift Clip

Provides lifting points for prefabricated panels.

The Panel Lift Clip is load rated and is used to safely lift wall panels at assembly warehouses or on job-sites. The clip comes pre-punched for screw attachment to the panel as well as a larger hole for the clamp. The rounded design of the top of the panel clip allows for the clamp to slide freely without getting stuck on the corners. The Panel Lift Clip comes in 12ga and is offered in two sizes, 8" and 12".

PRODUCT DIMENSIONS

PLC8-97: 3" wide x 8" long plate

PLC12-97: 3" wide x 12" long plate

MATERIAL SPECIFICATIONS

Material: ASTM A 1003 Structural Grade 50

Gauge: 12 gauge (97mil)

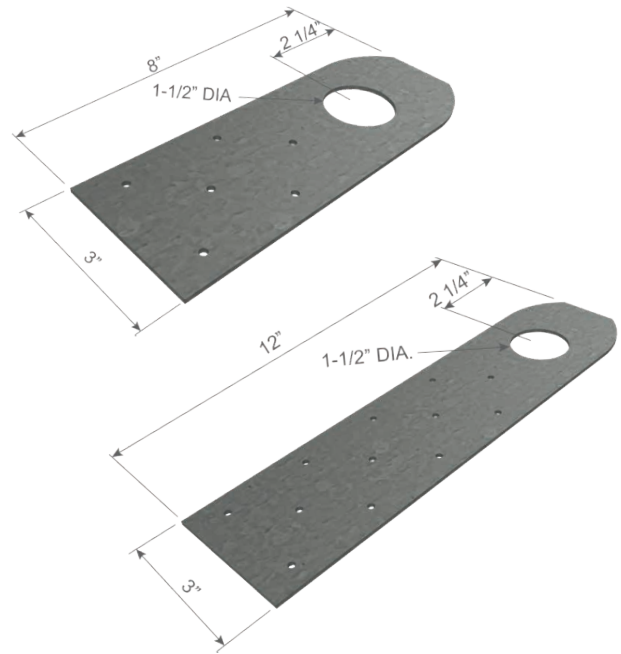
Design Thickness: 0.1017 inches

ASTM: A1003, A653

Galvanized coating meets or exceeds requirements of ASTM A653.

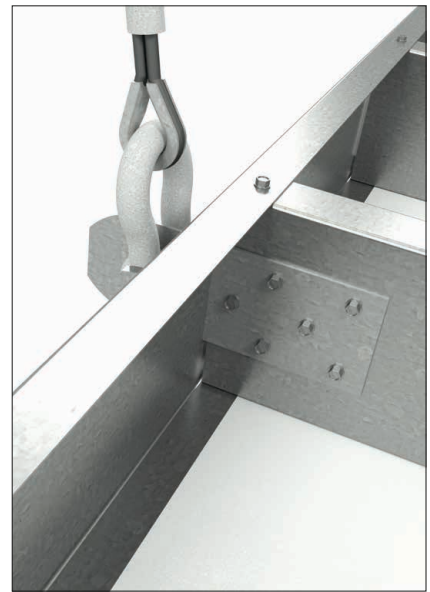
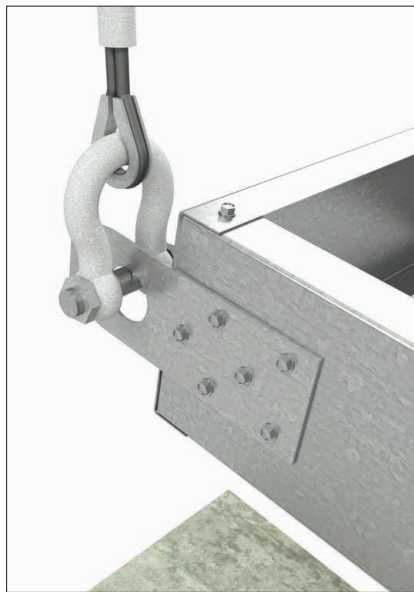
INSTALLATION

Install the Panel Lift Clips to each side and intermediate points of the panel. For intermediate clip installation, cut a groove large enough to insert the clip through the top track. Quantity, location and anchoring of clips to panel as designed by EOR. Panel Lift Clip is for single use only, and cannot be reused or reattached.



Panel Lift Clip (PLC)

Product code	Overall Length	Pcs./Bucket
PLC8-97	8"	100
PLC12-97	12"	50



Panel Lift Clip (PLC8, PLC12) Allowable Loads - Connection to Steel Framing, per Clip (lbs)

Product code	Stud thickness		F3 (Panel Lifted from a Vertical Orientation)			F2 (Panel Lifted from a Horizontal Orientation)		
	Mils (Gauge)	Fy (ksi)	97mil (12ga) PLC			97mil (12ga) PLC		
			w/3 #10 screws	w/5 #10 screws	w/6 #10 screws	w/3 #10 screws	w/5 #10 screws	w/6 #10 screws
PLC8-97	33mils (20ga)	33	530	884	1060	89	205	260
	33mils (20ga)	50	766	1276	1532	129	297	375
	43mils (18ga)	33	789	1315	1578	133	306	387
	43mils (18ga)	50	1140	1900	2279	192	442	559
	54mils (16ga)	33	1109	1849	2219	187	430	544
	54mils (16ga)	50	1602	2671	2775	270	621	786
	68mils (14ga)	50	1644	2740	2775	277	637	806
97mils (12ga)	50	1644	2740	2775	277	637	806	

Product code	Stud thickness		F3 (Panel Lifted from a Vertical Orientation)			F2 (Panel Lifted from a Horizontal Orientation)		
	Mils (Gauge)	Fy (ksi)	97mil (12ga) PLC			97mil (12ga) PLC		
			w/5 #10 screws	w/8 #10 screws	w/12 #10 screws	w/5 #10 screws	w/8 #10 screws	w/12 #10 screws
PLC12-97	33mils (20ga)	33	884	1414	2121	113	231	491
	33mils (20ga)	50	1276	2042	2775	163	333	710
	43mils (18ga)	33	1315	2104	2775	168	343	731
	43mils (18ga)	50	1900	2775	2775	243	496	1056
	54mils (16ga)	33	1849	2775	2775	237	483	1028
	54mils (16ga)	50	2671	2775	2775	342	697	1085
	68mils (14ga)	50	2740	2775	2775	351	715	1085
	97mils (12ga)	50	2740	2775	2775	351	715	1085

Notes:

- 1 Attachment to steel framing using #10 screws with a minimum shear capacity of 1644 lbs.
- 2 The use of load distribution spreader bar is assumed for multiple lift points.
- 3 Panel Lift Clip is for single use only, and cannot be reused or reattached.

PLC8-97

PLC12-97

