

## Flat Tail™ Slide Clip

### Curtain Wall/Bypass

Allows for vertical building movement and provides a horizontal standoff.

ClarkDietrich's Flat Tail™ Slide Clip is used to attach exterior curtain wall studs to the building structure and provide for 2-1/4" vertical building movement independent of the cold-formed steel framing. A Flat Tail Slide Clip provides variable standoff and eliminates the need for shims or additional framing components. The clip easily fastens to the floor/ceiling beam and is secured to the stud with ClarkDietrich proprietary deflection screws. The clip restricts lateral movement, but enables vertical movement.

#### INSTALLATION

Connection to the building can be made with screws, powder-actuated fasteners (PAFs), or by welding. Mechanical fasteners shall be located in the pilot holes. (2) Proprietary Deflection Screws are required in each slot to attach the clip to the cold-formed steel framing. Screws shall be placed in the slot with 1" center-to-center spacing using guide lines as a reference.

#### CLIP THICKNESS

**Gauge:** 12 gauge (97mil)

**Design Thickness:** 0.1017 inches

**Min. Thickness:** 0.0966 inches

**Gauge:** 10 gauge (118mil)

**Design Thickness:** 0.1242 inches

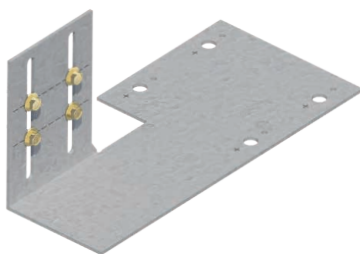
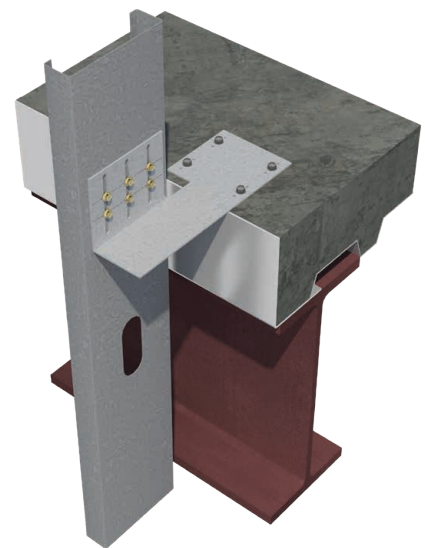
**Min. Thickness:** 0.1180 inches

#### MATERIAL SPECIFICATIONS

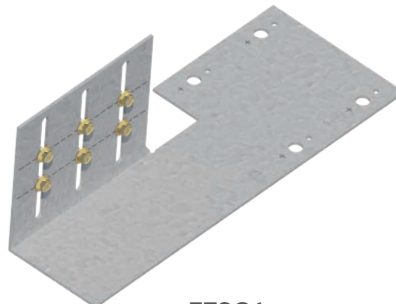
**Coatings:** G90

**Yield Strength:** 50ksi

**ASTM:** A653/A1003



FTSC3



FTSC6

### Flat Tail™ Slide Clip (FTSC)

| Product code | Thickness     |                       | Size (in)                | Packaging Pcs./Bucket |
|--------------|---------------|-----------------------|--------------------------|-----------------------|
|              | Mils (Gauge)  | Design thickness (in) |                          |                       |
| FTSC3-97     | 97mil (12ga)  | 0.1017                | 4-1/2" x 9-1/2" x 4-1/4" | 25                    |
| FTSC3-118    | 118mil (10ga) | 0.1242                | 4-1/2" x 9-1/2" x 4-1/4" | 25                    |

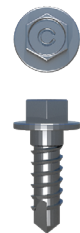
| Product code | Thickness     |                       | Size (in)                 | Packaging Pcs./Bucket |
|--------------|---------------|-----------------------|---------------------------|-----------------------|
|              | Mils (Gauge)  | Design thickness (in) |                           |                       |
| FTSC6-97     | 97mil (12ga)  | 0.1017                | 4-1/2" x 11-1/2" x 4-1/4" | 25                    |
| FTSC6-118    | 118mil (10ga) | 0.1242                | 4-1/2" x 11-1/2" x 4-1/4" | 25                    |

#### Notes:

- Clips: 25 clips per bucket.
- Includes 110 deflection screws for FTSC3 per bucket.
- Includes 160 deflection screws for FTSC6 per bucket.

#### PROPRIETARY DEFLECTION SCREWS

Many of the ClarkDietrich deflection clips include our Proprietary Deflection Screw that has been specifically designed to provide friction-free deflection. These fasteners eliminate drag, binding or resistance that can often occur with common fasteners.



Proprietary HD Deflection Screw (10ga and 12ga Clips Only)

## Flat Tail™ Slide Clip (FTSC)

### 3-5/8" Flat Tail Slide Clip™ (FTSC3)

| Product code               | Mils (Gauge)  | Yield Strength | Mechanically Anchored to Structure     | ASD Allowable Loads (lbs) |                    |                    |                    |                    |                   |                      |                   |                    |
|----------------------------|---------------|----------------|----------------------------------------|---------------------------|--------------------|--------------------|--------------------|--------------------|-------------------|----------------------|-------------------|--------------------|
|                            |               |                |                                        | Concentric                |                    |                    | Eccentric          |                    |                   | Percentage Variation |                   |                    |
|                            |               |                |                                        | F1 Load<br>w/6 #14        | F2 Load<br>w/6 #14 | F3 Load<br>w/6 #14 | F1 Load<br>w/6 #14 | F2 Load<br>w/6 #14 | F3Load<br>w/6 #14 | F1 Load<br>w/6 #14   | F2Load<br>w/6 #14 | F3 Load<br>w/6 #14 |
| FTSC3-97<br>97mil (12ga)   | 97mil (12ga)  | 50ksi          | (2) Fasteners to be designed by others | 468                       | 909                | 699                | 468                | 918                | 647               | 0%                   | 1%                | -7%                |
| FTSC3-118<br>118mil (10ga) | 118mil (10ga) | 50ksi          |                                        | 468                       | 924                | 924                | 468                | 866                | 822               | 0%                   | -6%               | -11%               |

### 3-5/8" Flat Tail Slide Clip™ (FTSC3)

| Product code               | Mils (Gauge)  | Yield Strength | Mechanically Anchored to Structure  | ASD Allowable Loads (lbs) |                    |                    |                    |                    |                   |                      |                   |                    |
|----------------------------|---------------|----------------|-------------------------------------|---------------------------|--------------------|--------------------|--------------------|--------------------|-------------------|----------------------|-------------------|--------------------|
|                            |               |                |                                     | Concentric                |                    |                    | Eccentric          |                    |                   | Percentage Variation |                   |                    |
|                            |               |                |                                     | F1 Load<br>w/6 #14        | F2 Load<br>w/6 #14 | F3 Load<br>w/6 #14 | F1 Load<br>w/6 #14 | F2 Load<br>w/6 #14 | F3Load<br>w/6 #14 | F1 Load<br>w/6 #14   | F2Load<br>w/6 #14 | F3 Load<br>w/6 #14 |
| FTSC3-97<br>97mil (12ga)   | 97mil (12ga)  | 50ksi          | (2) 1/4-28 Fasteners in 3/16" steel | 305                       | 847                | 699                | 251                | 689                | 647               | -18%                 | -19%              | -7%                |
| FTSC3-118<br>118mil (10ga) | 118mil (10ga) | 50ksi          |                                     | 337                       | 924                | 924                | 272                | 744                | 744               | -19%                 | -19%              | -19%               |

### 3-5/8" Flat Tail Slide Clip™ (FTSC3)

| Product code               | Mils (Gauge)  | Yield Strength | Mechanically Anchored to Structure | ASD Allowable Loads (lbs) |                    |                    |                    |                    |                   |                      |                   |                    |
|----------------------------|---------------|----------------|------------------------------------|---------------------------|--------------------|--------------------|--------------------|--------------------|-------------------|----------------------|-------------------|--------------------|
|                            |               |                |                                    | Concentric                |                    |                    | Eccentric          |                    |                   | Percentage Variation |                   |                    |
|                            |               |                |                                    | F1 Load<br>w/6 #14        | F2 Load<br>w/6 #14 | F3 Load<br>w/6 #14 | F1 Load<br>w/6 #14 | F2 Load<br>w/6 #14 | F3Load<br>w/6 #14 | F1 Load<br>w/6 #14   | F2Load<br>w/6 #14 | F3 Load<br>w/6 #14 |
| FTSC3-97<br>97mil (12ga)   | 97mil (12ga)  | 50ksi          | (2) 12-24 Fasteners in 3/16" steel | 258                       | 716                | 699                | 213                | 585                | 585               | -17%                 | -18%              | -16%               |
| FTSC3-118<br>118mil (10ga) | 118mil (10ga) | 50ksi          |                                    | 276                       | 763                | 763                | 225                | 616                | 616               | -18%                 | -19%              | -19%               |

### 3-5/8" Flat Tail Slide Clip™ (FTSC3)

| Product code               | Mils (Gauge)  | Yield Strength | Mechanically Anchored to Structure | ASD Allowable Loads (lbs) |                    |                    |                    |                    |                   |                      |                   |                    |
|----------------------------|---------------|----------------|------------------------------------|---------------------------|--------------------|--------------------|--------------------|--------------------|-------------------|----------------------|-------------------|--------------------|
|                            |               |                |                                    | Concentric                |                    |                    | Eccentric          |                    |                   | Percentage Variation |                   |                    |
|                            |               |                |                                    | F1 Load<br>w/6 #14        | F2 Load<br>w/6 #14 | F3 Load<br>w/6 #14 | F1 Load<br>w/6 #14 | F2 Load<br>w/6 #14 | F3Load<br>w/6 #14 | F1 Load<br>w/6 #14   | F2Load<br>w/6 #14 | F3 Load<br>w/6 #14 |
| FTSC3-97<br>97mil (12ga)   | 97mil (12ga)  | 50ksi          | (2) 0.157" PAFs in 3/16" steel     | 230                       | 641                | 641                | 195                | 538                | 538               | -15%                 | -16%              | -16%               |
| FTSC3-118<br>118mil (10ga) | 118mil (10ga) | 50ksi          |                                    | 230                       | 641                | 641                | 195                | 538                | 538               | -15%                 | -16%              | -16%               |

### 3-5/8" Flat Tail Slide Clip™ (FTSC3)

| Product code               | Mils (Gauge)  | Yield Strength | Mechanically Anchored to Structure       | ASD Allowable Loads (lbs) |                    |                    |                    |                    |                   |                      |                   |                    |
|----------------------------|---------------|----------------|------------------------------------------|---------------------------|--------------------|--------------------|--------------------|--------------------|-------------------|----------------------|-------------------|--------------------|
|                            |               |                |                                          | Concentric                |                    |                    | Eccentric          |                    |                   | Percentage Variation |                   |                    |
|                            |               |                |                                          | F1 Load<br>w/6 #14        | F2 Load<br>w/6 #14 | F3 Load<br>w/6 #14 | F1 Load<br>w/6 #14 | F2 Load<br>w/6 #14 | F3Load<br>w/6 #14 | F1 Load<br>w/6 #14   | F2Load<br>w/6 #14 | F3 Load<br>w/6 #14 |
| FTSC3-97<br>97mil (12ga)   | 97mil (12ga)  | 50ksi          | (2) 1/4" Hilti Kwik HUS-EZ               | 303                       | 847                | 699                | 259                | 717                | 647               | -15%                 | -15%              | -7%                |
| FTSC3-118<br>118mil (10ga) | 118mil (10ga) | 50ksi          | 2-1/2" Embedment in to 3000psi uncracked | 303                       | 847                | 847                | 259                | 717                | 717               | -15%                 | -15%              | -15%               |

### 6" Flat Tail Slide Clip™ (FTSC6)

| Product code               | Mils (Gauge)  | Yield Strength | Mechanically Anchored to Structure     | ASD Allowable Loads (lbs) |                    |                    |                    |                    |                    |                      |                    |                    |
|----------------------------|---------------|----------------|----------------------------------------|---------------------------|--------------------|--------------------|--------------------|--------------------|--------------------|----------------------|--------------------|--------------------|
|                            |               |                |                                        | Concentric                |                    |                    | Eccentric          |                    |                    | Percentage Variation |                    |                    |
|                            |               |                |                                        | F1 Load<br>w/6 #14        | F2 Load<br>w/6 #14 | F3 Load<br>w/6 #14 | F1 Load<br>w/6 #14 | F2 Load<br>w/6 #14 | F3 Load<br>w/6 #14 | F1 Load<br>w/6 #14   | F2 Load<br>w/6 #14 | F3 Load<br>w/6 #14 |
| FTSC6-97<br>97mil (12ga)   | 97mil (12ga)  | 50ksi          | (2) Fasteners to be designed by others | 444                       | 1383               | 1063               | 407                | 1474               | 1051               | -8%                  | 7%                 | -1%                |
| FTSC6-118<br>118mil (10ga) | 118mil (10ga) | 50ksi          |                                        | 492                       | 2026               | 1439               | 622                | 1962               | 1629               | 26%                  | -3%                | 13%                |

### 6" Flat Tail Slide Clip™ (FTSC6)

| Product code               | Mils (Gauge)  | Yield Strength | Mechanically Anchored to Structure  | ASD Allowable Loads (lbs) |                    |                    |                    |                    |                    |                      |                    |                    |
|----------------------------|---------------|----------------|-------------------------------------|---------------------------|--------------------|--------------------|--------------------|--------------------|--------------------|----------------------|--------------------|--------------------|
|                            |               |                |                                     | Concentric                |                    |                    | Eccentric          |                    |                    | Percentage Variation |                    |                    |
|                            |               |                |                                     | F1 Load<br>w/6 #14        | F2 Load<br>w/6 #14 | F3 Load<br>w/6 #14 | F1 Load<br>w/6 #14 | F2 Load<br>w/6 #14 | F3 Load<br>w/6 #14 | F1 Load<br>w/6 #14   | F2 Load<br>w/6 #14 | F3 Load<br>w/6 #14 |
| FTSC6-97<br>97mil (12ga)   | 97mil (12ga)  | 50ksi          | (2) 1/4-28 Fasteners in 3/16" steel | 283                       | 847                | 847                | 236                | 689                | 689                | -17%                 | -19%               | -19%               |
| FTSC6-118<br>118mil (10ga) | 118mil (10ga) | 50ksi          |                                     | 314                       | 931                | 931                | 257                | 744                | 744                | -18%                 | -20%               | -20%               |

### 6" Flat Tail Slide Clip™ (FTSC6)

| Product code               | Mils (Gauge)  | Yield Strength | Mechanically Anchored to Structure | ASD Allowable Loads (lbs) |                    |                    |                    |                    |                    |                      |                    |                    |
|----------------------------|---------------|----------------|------------------------------------|---------------------------|--------------------|--------------------|--------------------|--------------------|--------------------|----------------------|--------------------|--------------------|
|                            |               |                |                                    | Concentric                |                    |                    | Eccentric          |                    |                    | Percentage Variation |                    |                    |
|                            |               |                |                                    | F1 Load<br>w/6 #14        | F2 Load<br>w/6 #14 | F3 Load<br>w/6 #14 | F1 Load<br>w/6 #14 | F2 Load<br>w/6 #14 | F3 Load<br>w/6 #14 | F1 Load<br>w/6 #14   | F2 Load<br>w/6 #14 | F3 Load<br>w/6 #14 |
| FTSC6-97<br>97mil (12ga)   | 97mil (12ga)  | 50ksi          | (2) 12-24 Fasteners in 3/16" steel | 239                       | 716                | 716                | 200                | 585                | 585                | -16%                 | -18%               | -18%               |
| FTSC6-118<br>118mil (10ga) | 118mil (10ga) | 50ksi          |                                    | 256                       | 763                | 763                | 212                | 616                | 616                | -17%                 | -19%               | -19%               |

### 6" Flat Tail Slide Clip™ (FTSC6)

| Product code               | Mils (Gauge)  | Yield Strength | Mechanically Anchored to Structure | ASD Allowable Loads (lbs) |                    |                    |                    |                    |                    |                      |                    |                    |
|----------------------------|---------------|----------------|------------------------------------|---------------------------|--------------------|--------------------|--------------------|--------------------|--------------------|----------------------|--------------------|--------------------|
|                            |               |                |                                    | Concentric                |                    |                    | Eccentric          |                    |                    | Percentage Variation |                    |                    |
|                            |               |                |                                    | F1 Load<br>w/6 #14        | F2 Load<br>w/6 #14 | F3 Load<br>w/6 #14 | F1 Load<br>w/6 #14 | F2 Load<br>w/6 #14 | F3 Load<br>w/6 #14 | F1 Load<br>w/6 #14   | F2 Load<br>w/6 #14 | F3 Load<br>w/6 #14 |
| FTSC6-97<br>97mil (12ga)   | 97mil (12ga)  | 50ksi          | (2) 0.157" PAFs in 3/16" steel     | 211                       | 641                | 641                | 181                | 538                | 538                | -14%                 | -16%               | -16%               |
| FTSC6-118<br>118mil (10ga) | 118mil (10ga) | 50ksi          |                                    | 211                       | 641                | 641                | 181                | 538                | 538                | -14%                 | -16%               | -16%               |

### 6" Flat Tail Slide Clip™ (FTSC6)

| Product code               | Mils (Gauge)  | Yield Strength | Mechanically Anchored to Structure       | ASD Allowable Loads (lbs) |                    |                    |                    |                    |                    |                      |                    |                    |
|----------------------------|---------------|----------------|------------------------------------------|---------------------------|--------------------|--------------------|--------------------|--------------------|--------------------|----------------------|--------------------|--------------------|
|                            |               |                |                                          | Concentric                |                    |                    | Eccentric          |                    |                    | Percentage Variation |                    |                    |
|                            |               |                |                                          | F1 Load<br>w/6 #14        | F2 Load<br>w/6 #14 | F3 Load<br>w/6 #14 | F1 Load<br>w/6 #14 | F2 Load<br>w/6 #14 | F3 Load<br>w/6 #14 | F1 Load<br>w/6 #14   | F2 Load<br>w/6 #14 | F3 Load<br>w/6 #14 |
| FTSC6-97<br>97mil (12ga)   | 97mil (12ga)  | 50ksi          | (2) 1/4" Hilti Kwik HUS-EZ               | 277                       | 847                | 847                | 240                | 717                | 717                | -13%                 | -15%               | -15%               |
| FTSC6-118<br>118mil (10ga) | 118mil (10ga) | 50ksi          | 2-1/2" Embedment in to 3000psi uncracked | 277                       | 847                | 847                | 240                | 717                | 717                | -13%                 | -15%               | -15%               |