

## Aluminum Burn Clip

Melting away under intense heat, clips allow a fire-damaged structure to collapse while keeping the firewall barrier in place, protecting adjacent units.

ClarkDietrich aluminum burn clips are used as part of the H-stud area separation wall assembly and are designed to melt and break away when exposed to fire. The clips are used to hold the area separation wall assembly in place at the floor roof and truss line between adjacent units.

Should a fire break out in one unit, the aluminum burn clips on the fire-ridden side of the area separation wall will melt, allowing the wall structure for that side to collapse. Without pulling the area separation wall down, the burn clips on the non-fire side will remain intact, and hold the area separation wall in place as a barrier to contain the fire within the unit of origin.

### PRODUCT DIMENSIONS

2" x 2" x 2-1/2"

2" x 2" x 3"

2" x 2" x 3-1/2"

2" x 2" x 4"

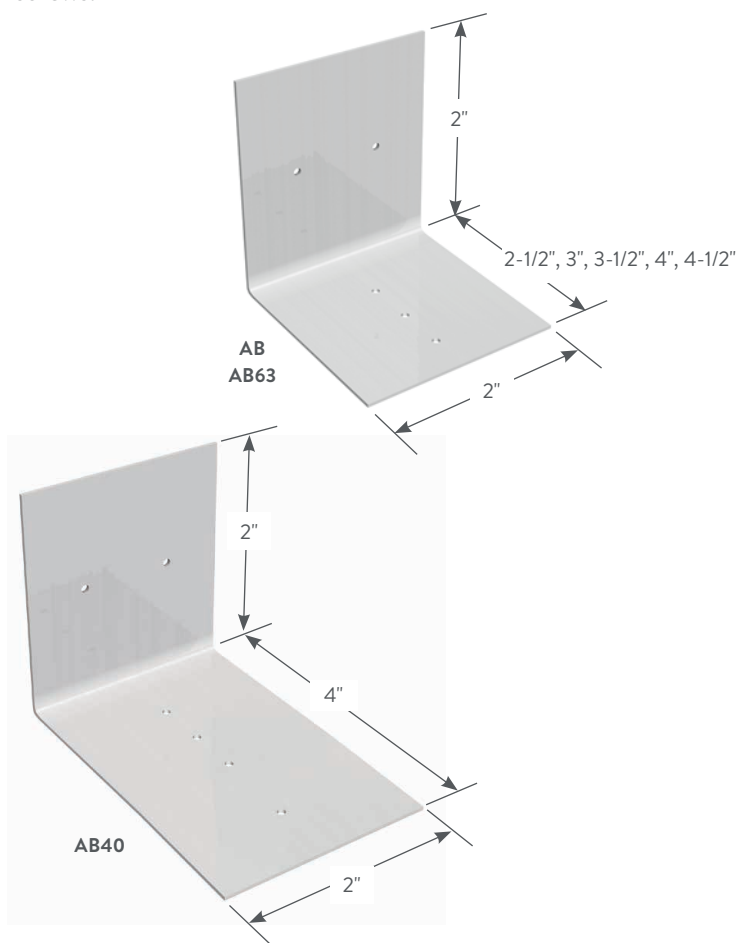
2" x 2" x 4-1/2"

### MATERIAL SPECIFICATIONS

All burn clips are manufactured using 5052 H32 aluminum. Standard product manufactured with .050 material. Extra-heavy duty product (AB63) manufactured with .063 material is available on request.

### INSTALLATION

Attach an aluminum burn clip to the completed area separation wall assembly. One clip should be located at each H-stud on both sides of the wall. Attach the aluminum burn clip to the H-stud with screws, not nails. Attach to the adjacent framing with Type-W or Type-S screws.



### Aluminum Burn Clips (AB)

Product code	Thickness (in)	Size (in)	Packaging Pcs./Bucket
AB	0.050	2 x 2 x 2-1/2	500
AB63	0.063	2 x 2 x 2-1/2	500
AB30	0.063	2 x 2 x 3	250
AB35	0.063	2 x 2 x 3-1/2	250
AB40*	0.063	2 x 2 x 4	250
AB45	0.063	2 x 2 x 4-1/2	250

\*AB40-For use with 3-hour Design Assembly based on GA file No. ASW 2600.

