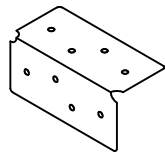
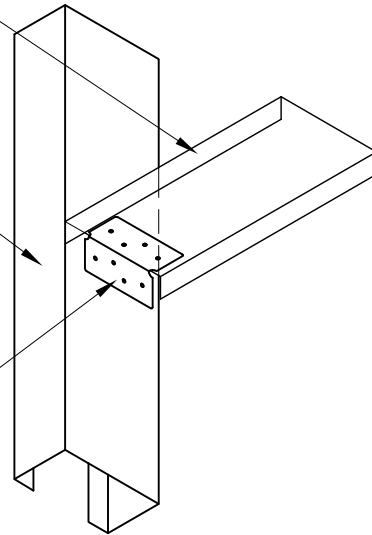


SILL TRACK.
MEMBER SIZE AS REQ'D
PER DESIGN.

ClarkDietrich RED HEADER PRO™
JAMB STUDS. MEMBER SIZE AS
REQ'D PER DESIGN.



ClarkDietrich SwiftClip™ 150x150-54
1/2" LESS THAN STUD WIDTH.
USE: (3)#10-16 SCREWS ON
EACH LEG AS SHOWN ABOVE.
USE PRE-PUNCHED HOLES
FOR SCREW ATTACHMENT.



REDHEADER PRO CONNECTION AT SILL TRACK

USING SwiftClip



Engineering Services: (877) 832-3206

Technical Services: (888) 437-3244

The CAD detail library is intended to provide general framing details only and does not replace the judgments and designs of a qualified architect and/or engineer. The details are provided as a starting tool to assist the user in creating and detailing cold-formed steel framing construction details. Each detail including accompanying text must be thoroughly evaluated and approved by a qualified architect or engineer. | Find over 500 CAD details at cad.clarkdietrich.com | © Copyright 2023 ClarkDietrich