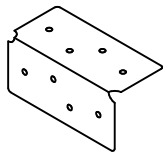


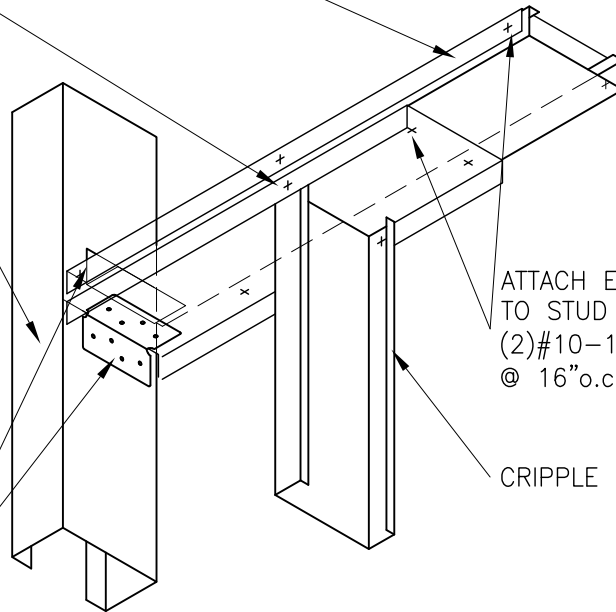
(1) UNPUNCHED STUD,
CAPPED w/(2) TRACKS.
MEMBER SIZES AS REQ'D
PER DESIGN.

(1)#10-16 SCREW
TYP. EACH FLANGE

ClarkDietrich RedHeader PRO™
JAMB STUDS. MEMBER SIZE AS
REQ'D PER DESIGN.



(2)SwiftClip™ 150x150-54
TOP & BOTTOM
1/2" LESS THAN STUD WIDTH.
USE: (3)#10-16 SCREWS ON
EACH LEG AS SHOWN ABOVE.
USE PRE-PUNCHED HOLES
FOR SCREW ATTACHMENT.



ATTACH EACH TRACK
TO STUD USING:
(2)#10-16 SCREWS
@ 16"o.c.

CRIPPLE STUDS

REDHEADER PRO CONNECTION AT LAY-IN SILL

USING SwiftClip



ClarkDietrich.
BUILDING SYSTEMS

Engineering Services: (877) 832-3206

Technical Services: (888) 437-3244

The CAD detail library is intended to provide general framing details only and does not replace the judgments and designs of a qualified architect and/or engineer. The details are provided as a starting tool to assist the user in creating and detailing cold-formed steel framing construction details. Each detail including accompanying text must be thoroughly evaluated and approved by a qualified architect or engineer. | Find over 500 CAD details at cad.clarkdietrich.com | © Copyright 2023 ClarkDietrich