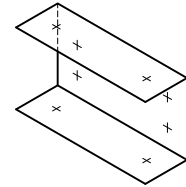
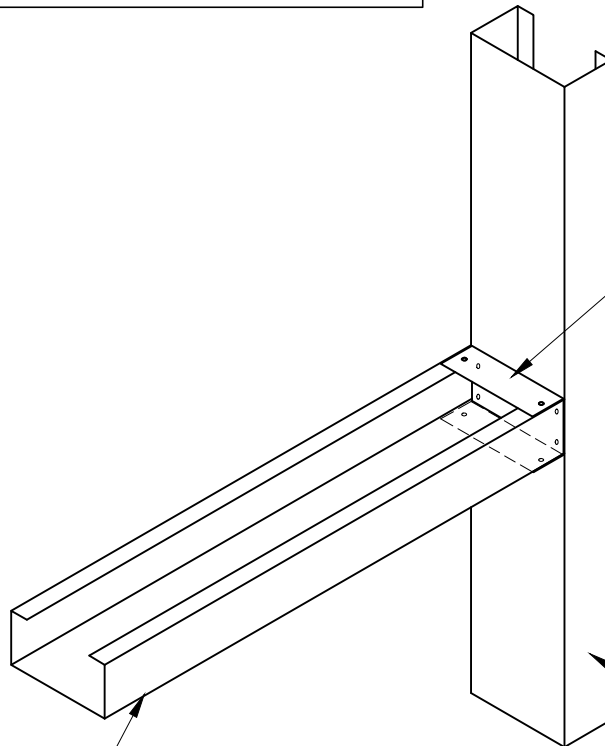


NOTE:  
ORDER ALL RedHeader LITE HEADERS  
1/2" LESS THAN ROUGH OPENING WIDTH  
TO FIT INSIDE RHLC HEADER BRACKETS.



ClarkDietrich RHLC HEADER  
BRACKET. MEMBER SIZE AS  
REQ'D PER DESIGN. FASTEN  
WITH (4) #10-16 HWH SCREWS  
TO HEAD AND (4) #10-16 HWH  
SCREWS TO JAMB



ClarkDietrich RedHeader LITE  
HEADER AS REQ'D BY  
DESIGN

ClarkDietrich RedHeader  
LITE JAMB STUD AS  
REQUIRED BY DESIGN

## REDHEADER LITE HEADER CONNECTION

with RHLC Header Bracket



Engineering Services: (877) 832-3206

Technical Services: (888) 437-3244

The CAD detail library is intended to provide general framing details only and does not replace the judgments and designs of a qualified architect and/or engineer. The details are provided as a starting tool to assist the user in creating and detailing cold-formed steel framing construction details. Each detail including accompanying text must be thoroughly evaluated and approved by a qualified architect or engineer. | Find over 500 CAD details at [cad.clarkdietrich.com](http://cad.clarkdietrich.com) | © Copyright 2020 ClarkDietrich