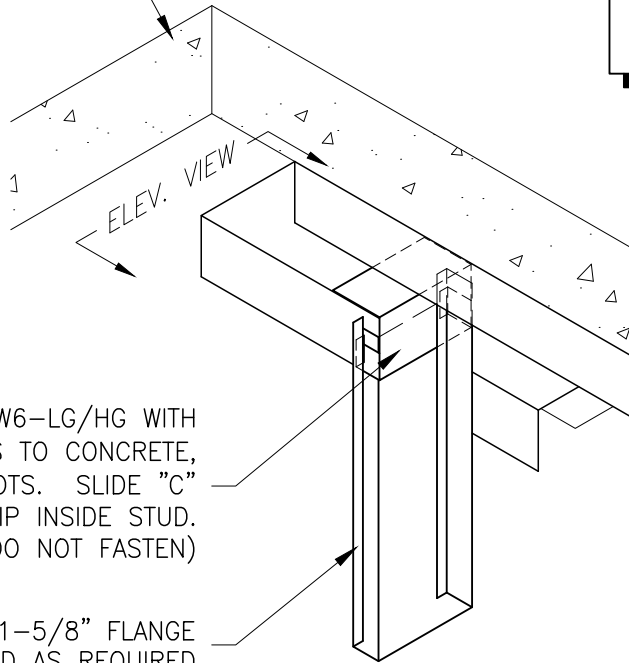
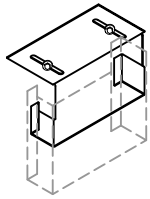


INSTALLATION NOTES:

- 1) TO ENSURE DRIFT, BACK OUT THE FASTENERS TO THE STRUCTURE ABOUT 1/2 TURN.
- 2) INSTALLER TO ENSURE DRYWALL SCREWS DO NOT INTERFERE WITH CLIP MOVEMENT.

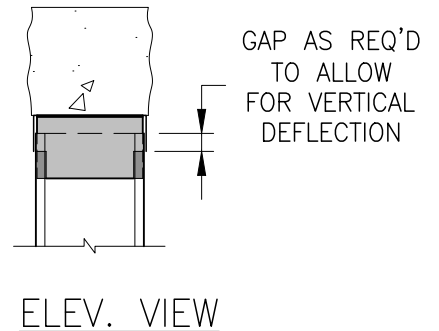
CONCRETE STRUCTURE BY OTHERS



CLARKDIETRICH DHOW6-LG/HG WITH (2) 1/4"φ ANCHORS TO CONCRETE, CENTERED IN DRIFT SLOTS. SLIDE "C" SHAPE END OF CLIP INSIDE STUD. (DO NOT FASTEN)

1-5/8" FLANGE STUD AS REQUIRED

LATERAL BRIDGING AS REQUIRED NOT MORE THAN 12" FROM TOP OF STUD



DRIFT HEAD-OF-WALL (DHOW6)
to Concrete Structure



Engineering Services: (877) 832-3206

Technical Services: (888) 437-3244