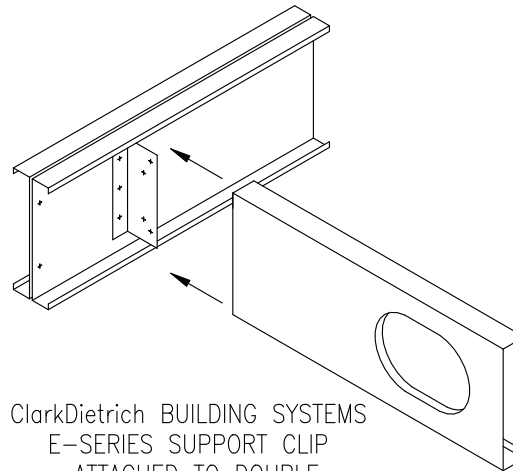
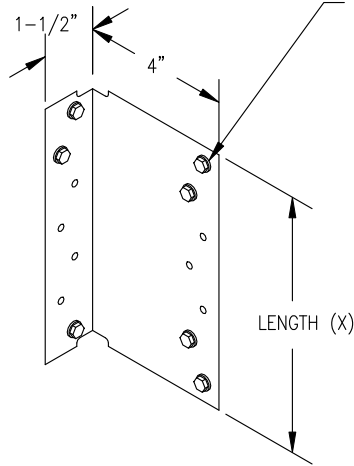
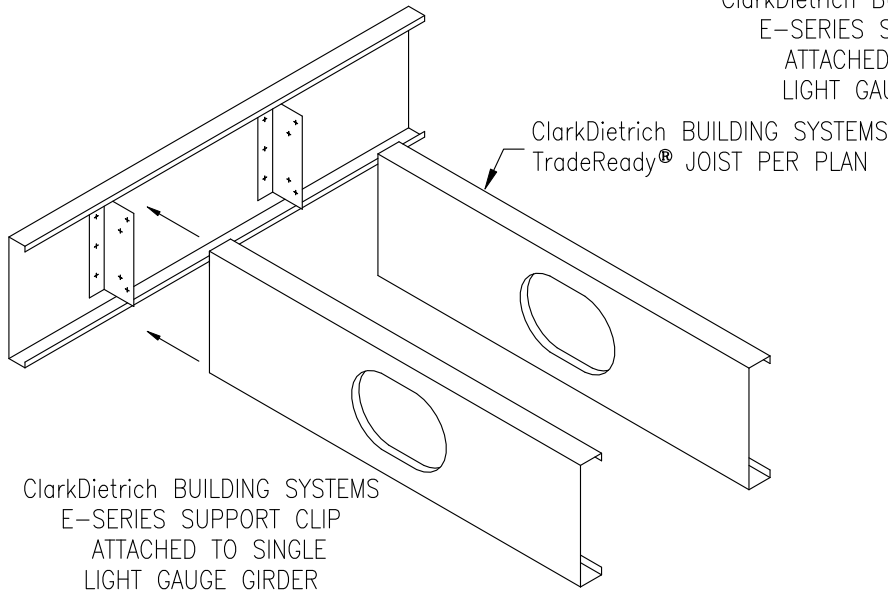


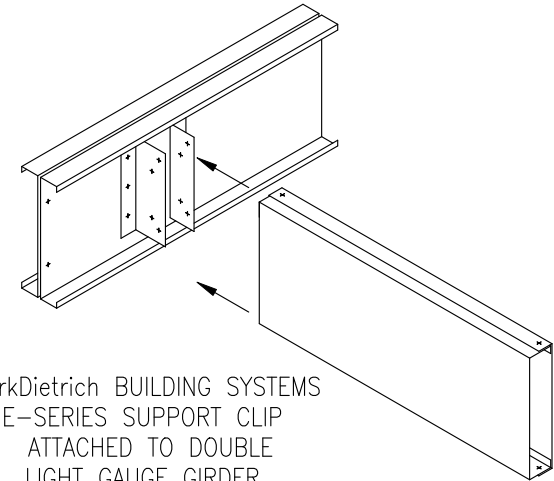
USE #10 (MIN.) SELF DRILLING SCREWS INSTALLED THROUGH CLIP HOLES TO LIGHT GAUGE FRAMING. PLACE FASTENERS IN A SYMMETRIC MANNER FROM THE OUTSIDE-IN AS SHOWN



ClarkDietrich BUILDING SYSTEMS
E-SERIES SUPPORT CLIP
ATTACHED TO DOUBLE
LIGHT GAUGE GIRDER



ClarkDietrich BUILDING SYSTEMS
E-SERIES SUPPORT CLIP
ATTACHED TO SINGLE
LIGHT GAUGE GIRDER



ClarkDietrich BUILDING SYSTEMS
E-SERIES SUPPORT CLIP
ATTACHED TO DOUBLE
LIGHT GAUGE GIRDER

NOTES:

- 1) ClarkDietrich E-SERIES SUPPORT CLIP. CLIP GAUGE AND FASTENERS AS REQUIRED BY DESIGN.
- 2) SUPPORT CLIP LENGTH PER TABLE T.1.

TABLE T.1

JOIST DEPTH	CLIP LENGTH (X)
7-1/4" - 8"	5"
9-1/4" - 10"	7"
11-1/4" - 14"	9"

F3101
 SUPPORT CLIP — ClarkDietrich E-SERIES

 ClarkDietrich TradeReady Floor Joist System