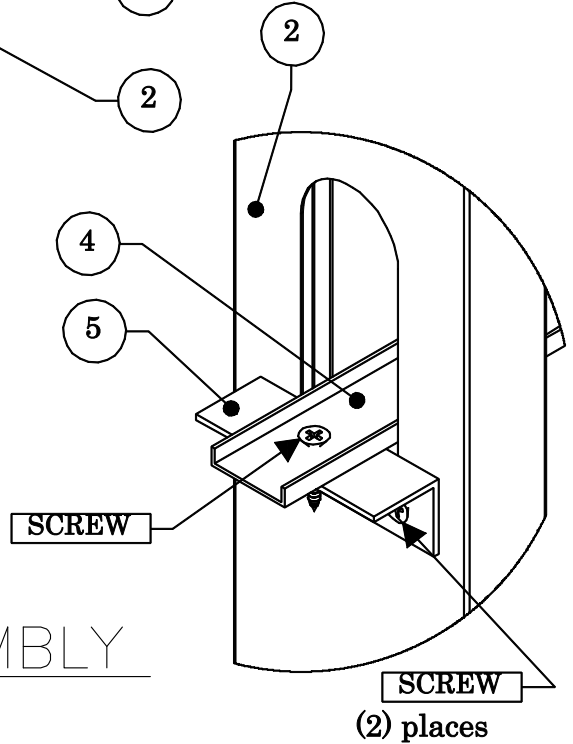


ITEM NO.	PART NO.
1	TTS TRAK
2	TRAKLOC STUD
3	TRAKLOC SLIP EXT
4	Bridge Channel
5	Bridge Chan. Brace

5 STUD IN TRACK ASMBLY



DETAIL A



ClarkDietrich
BUILDING SYSTEMS

Engineering Services: (877) 832-3206

Technical Services: (888) 437-3244

The CAD detail library is intended to provide general framing details only and does not replace the judgments and designs of a qualified architect and/or engineer. The details are provided as a starting tool to assist the user in creating and detailing cold-formed steel framing construction details. Each detail including accompanying text must be thoroughly evaluated and approved by a qualified architect or engineer. | Find over 500 CAD details at cad.clarkdietrich.com | © Copyright 2015 ClarkDietrich Building Systems