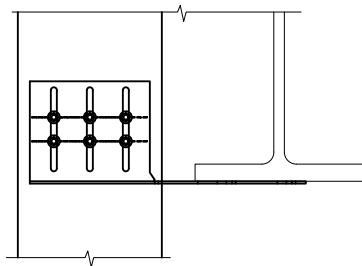
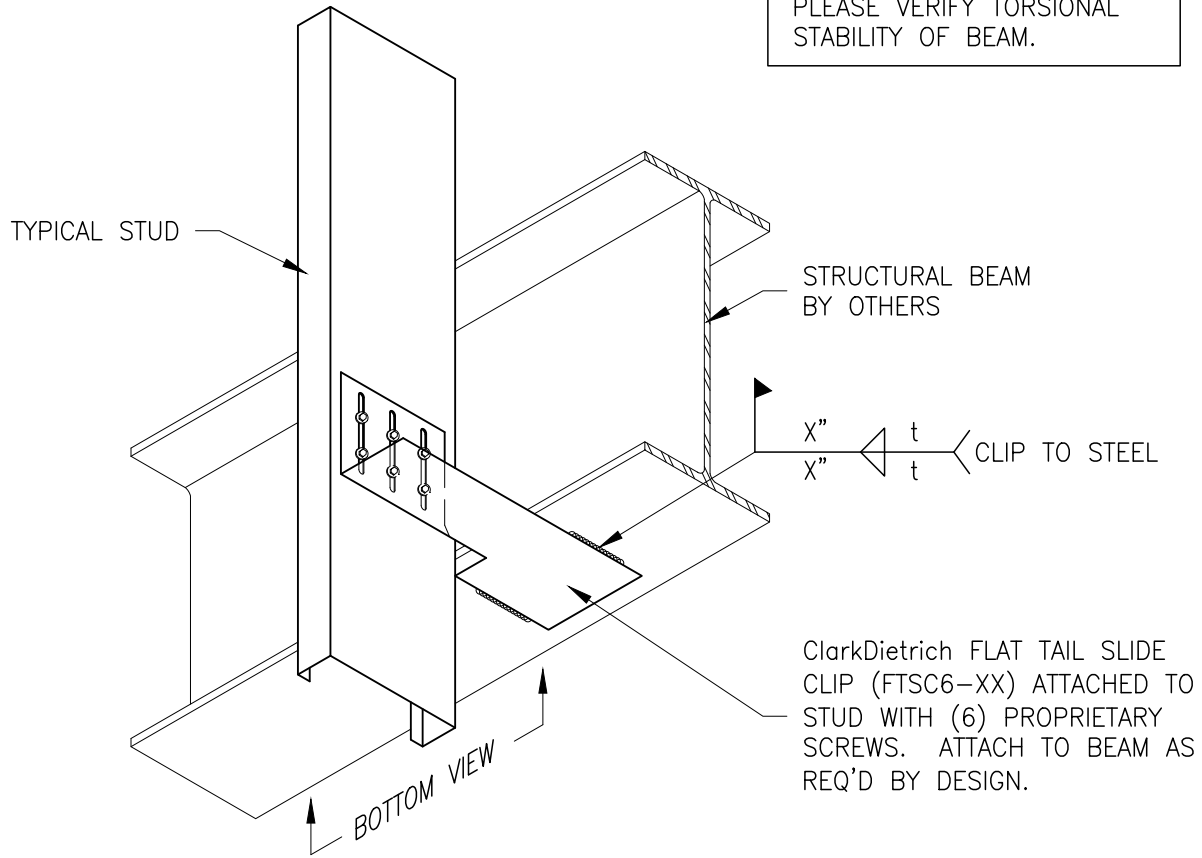
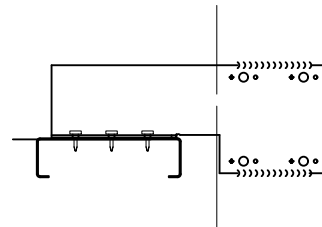


ENGINEER OF RECORD:  
PLEASE VERIFY TORSIONAL  
STABILITY OF BEAM.



SIDE VIEW



BOTTOM VIEW

## STUD CONNECTION WITH Flat Tail Slide Clip (FTSC6)

WELDED TO BOTTOM OF BEAM



Engineering Services: (877) 832-3206

Technical Services: (888) 437-3244

The CAD detail library is intended to provide general framing details only and does not replace the judgments and designs of a qualified architect and/or engineer. The details are provided as a starting tool to assist the user in creating and detailing cold-formed steel framing construction details. Each detail including accompanying text must be thoroughly evaluated and approved by a qualified architect or engineer. | Find over 500 CAD details at [cad.clarkdietrich.com](http://cad.clarkdietrich.com) | © Copyright 2020 ClarkDietrich