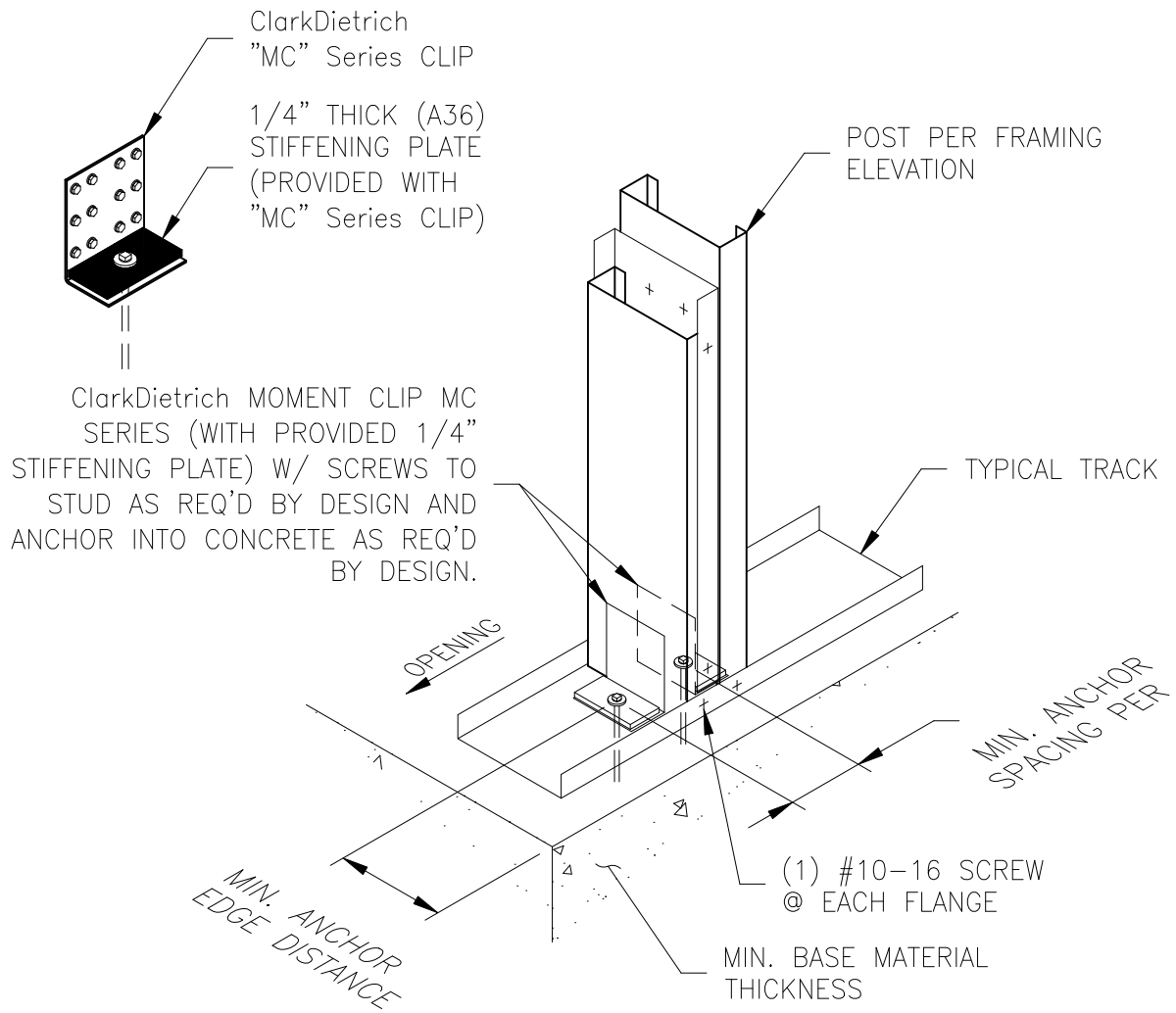


DESIGN/APPLICATION NOTES:

- REF. ANCHOR MFR FOR EDGE DISTANCE, BASE MAT'L REQUIREMENTS AND MIN. SPACING.
- WHEN USING CLIP ON "OPEN" SIDE OF STUDS, USE NEXT SIZE DOWN (I.E. USE MC683 ON 6" STUDS, ETC.)



MOMENT CLIP POST CONNECTION DETAIL 2



ClarkDietrich
BUILDING SYSTEMS

Engineering Services: (877) 832-3206

Technical Services: (888) 437-3244

The CAD detail library is intended to provide general framing details only and does not replace the judgments and designs of a qualified architect and/or engineer. The details are provided as a starting tool to assist the user in creating and detailing cold-formed steel framing construction details. Each detail including accompanying text must be thoroughly evaluated and approved by a qualified architect or engineer. | Find over 500 CAD details at cad.clarkdietrich.com | © Copyright 2015 ClarkDietrich Building Systems