

TABLE T.1

JOIST DEPTH	CLIP LENGTH (X)
7-1/4" - 8"	5"
9-1/4" - 10"	7"
11-1/4" - 14"	9"

ClarkDietrich BUILDING SYSTEMS
ADDITIONAL LOOSE S54X REQ'D
FOR JOIST RIM ATTACHMENT AT END OF
TradeReady® JOIST

ClarkDietrich BUILDING SYSTEMS
TradeReady® RIM TRACK PER PLAN

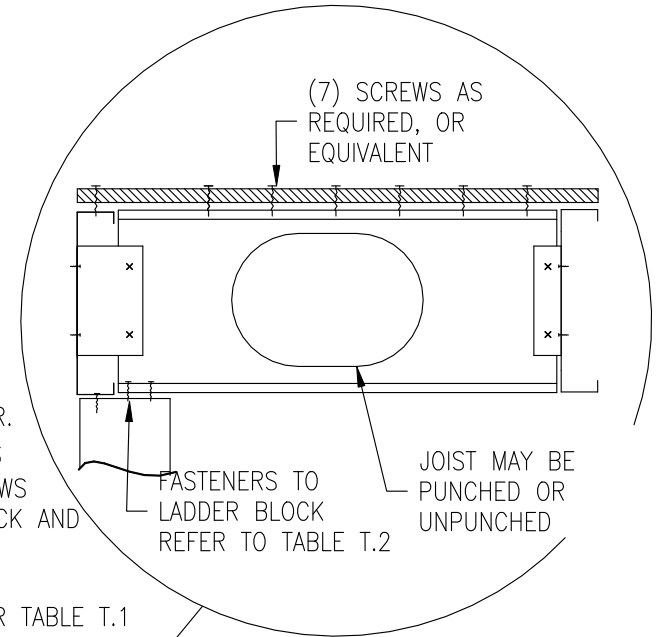
LADDER BLOCK @ 4'-0" O.C. MAX
ON 1ST FLOOR, 6'-8" O.C. MAX. ON 2ND FLOOR.

ClarkDietrich BUILDING SYSTEMS
S54X OR E54X WITH (2) SCREWS
AS REQUIRED, TO LADDER BLOCK AND
(2) SCREWS AS REQUIRED, TO
JOIST AT EACH LADDER BLOCK,
SUPPORT CLIP LENGTH (X) PER TABLE T.1

ClarkDietrich BUILDING SYSTEMS
E54X WITH (2) SCREWS AS REQUIRED,
TO LADDER BLOCK AND (2) SCREWS
AS REQUIRED, TO JOIST AT EACH
LADDER BLOCK, SUPPORT CLIP
LENGTH (X) PER TABLE T.1

WALL BY OTHERS

ClarkDietrich BUILDING SYSTEMS
TradeReady® JOIST REFER TO PLAN



ClarkDietrich BUILDING SYSTEMS
TradeReady® JOIST REFER TO PLAN

TABLE T.2

TYPE OF WALL BY OTHERS	(#) OF FASTENERS
STEEL FRAMED	(4) #10-16 SCREWS MIN. SPACING & EDGE DIST.= 1/2"
WOOD FRAMED	(5) COMMON NAILS #8d OR #8 WOOD SCREWS (1-1/2") MIN. EDGE DIST.= 1/2"o.c. SPACING= 1/2"o.c.

3-1/2"(MIN)
BEARING

F2206

LADDER BLOCKING - SINGLE JOIST RIM

ClarkDietrich TradeReady Floor Joist System