

TABLE T.1

JOIST DEPTH	CLIP LENGTH (X)
7-1/4" - 8"	5"
9-1/4" - 10"	7"
11-1/4" - 14"	9"

ADDITIONAL LOOSE ClarkDietrich BUILDING SYSTEMS S54X

REQ'D FOR JOIST RIM ATTACHMENT AT BOTH ENDS OF JOIST RIM

ClarkDietrich BUILDING SYSTEMS TradeReady® RIM TRACK PER PLAN

LADDER BLOCK @ 4'-0" O.C. MAX

ClarkDietrich BUILDING SYSTEMS S54X OR E54X WITH (2) SCREWS AS REQUIRED, TO LADDER BLOCK AND (2) SCREWS AS REQUIRED, TO JOIST AT EACH LADDER BLOCK, SUPPORT CLIP LENGTH (X) PER TABLE T.1

ClarkDietrich BUILDING SYSTEMS TradeReady® RIM TRACK PER PLAN

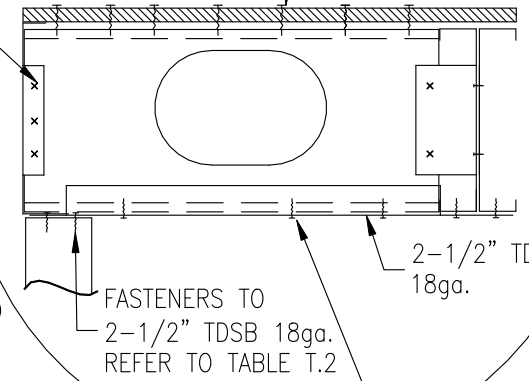
WALL BY OTHERS

ClarkDietrich BUILDING SYSTEMS TradeReady® JOIST REFER TO PLAN

3-1/2"(MIN) BEARING

(3) SCREWS AS REQUIRED, THRU TAB INTO LADDER BLOCKING

(7) SCREWS AS REQUIRED, OR EQUIVALENT



(3) SCREWS AS REQUIRED,

TABLE T.2

TYPE OF WALL BY OTHERS	(#) OF FASTENERS
STEEL FRAMED	(4) #10-16 SCREWS
WOOD FRAMED	(5) COMMON NAILS 8d SPACING PER UBC REQUIREMENTS

F2203 LADDER BLOCKING - DOUBLE JOIST  
ClarkDietrich TradeReady Floor Joist System