

TABLE T.1

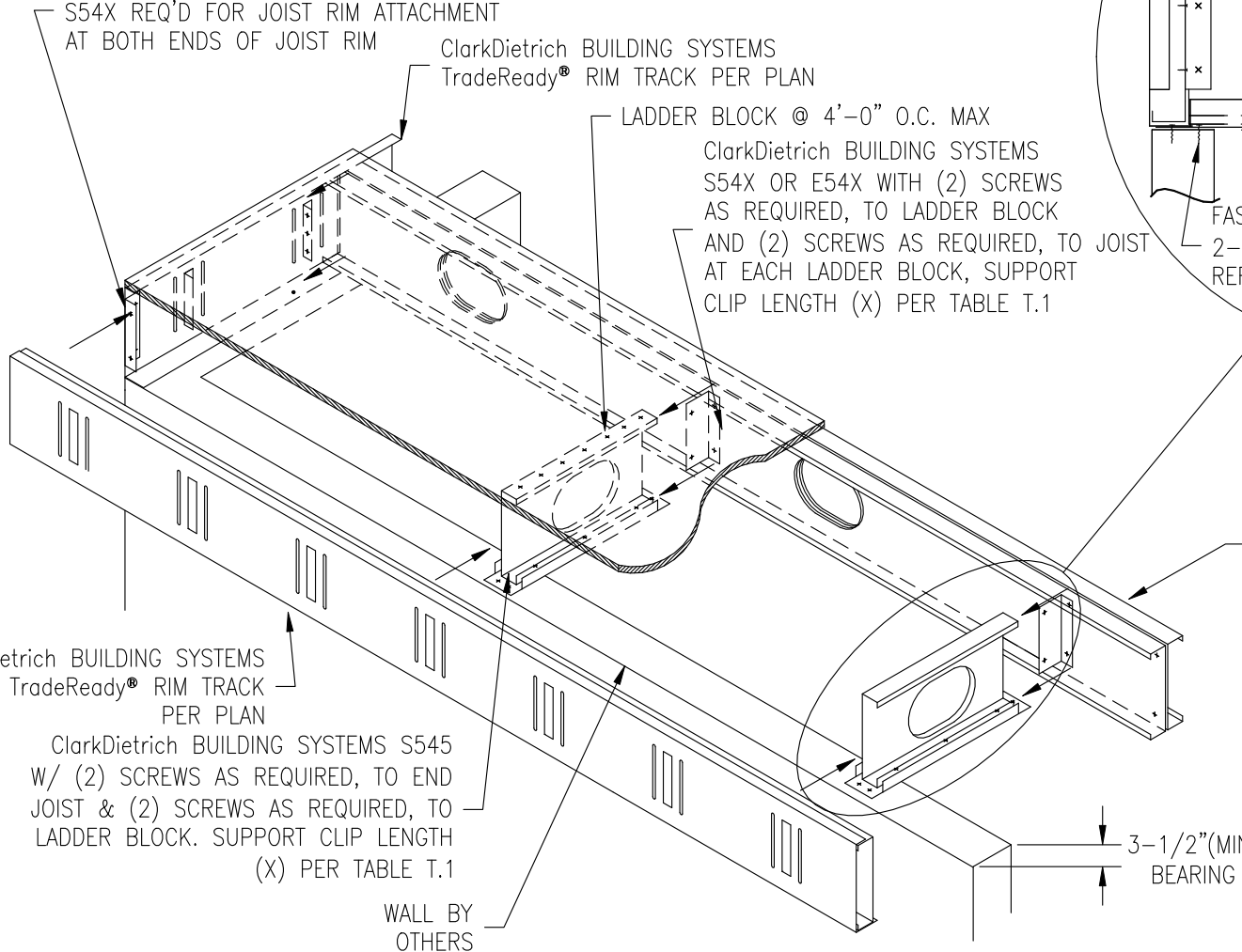
JOIST DEPTH	CLIP LENGTH (X)
7-1/4" - 8"	5"
9-1/4" - 10"	7"
11-1/4" - 14"	9"

ADDITIONAL LOOSE ClarkDietrich BUILDING SYSTEMS
 S54X REQ'D FOR JOIST RIM ATTACHMENT
 AT BOTH ENDS OF JOIST RIM

ClarkDietrich BUILDING SYSTEMS
 TradeReady® RIM TRACK PER PLAN

LADDER BLOCK @ 4'-0" O.C. MAX

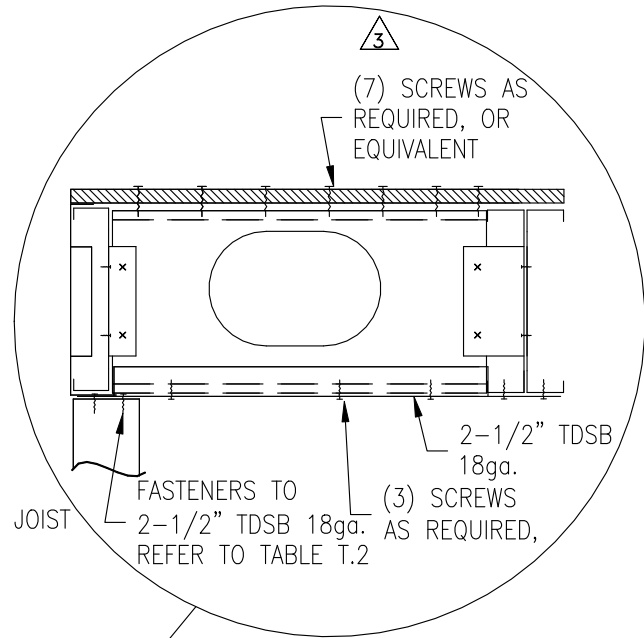
ClarkDietrich BUILDING SYSTEMS
 S54X OR E54X WITH (2) SCREWS
 AS REQUIRED, TO LADDER BLOCK
 AND (2) SCREWS AS REQUIRED, TO JOIST
 AT EACH LADDER BLOCK, SUPPORT
 CLIP LENGTH (X) PER TABLE T.1



ClarkDietrich BUILDING SYSTEMS
 TradeReady® RIM TRACK
 PER PLAN

ClarkDietrich BUILDING SYSTEMS S545
 W/ (2) SCREWS AS REQUIRED, TO END
 JOIST & (2) SCREWS AS REQUIRED, TO
 LADDER BLOCK. SUPPORT CLIP LENGTH
 (X) PER TABLE T.1

WALL BY
 OTHERS



(7) SCREWS AS
 REQUIRED, OR
 EQUIVALENT

FASTENERS TO
 2-1/2" TDSB 18ga. (3) SCREWS
 AS REQUIRED,
 REFER TO TABLE T.2

ClarkDietrich BUILDING SYSTEMS
 TradeReady® JOIST REFER TO PLAN


TABLE T.2

TYPE OF WALL BY OTHERS	(#) OF FASTENERS
STEEL FRAMED	(4) #10-16 SCREWS
WOOD FRAMED	(5) COMMON NAILS 8d SPACING PER UBC REQUIREMENTS

3-1/2"(MIN)
 BEARING

F2204

LADDER BLOCKING — CAPPED RIM DOUBLE JOIST

 07.23.03

ClarkDietrich TradeReady Floor Joist System