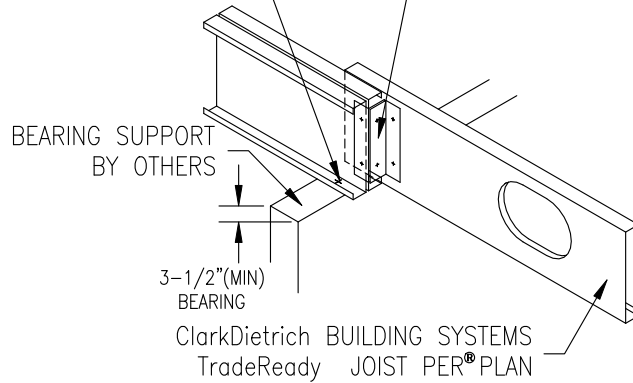


(1) FASTENER THROUGH JOIST BOTTOM FLANGE TO BEARING SUPPORT PER TABLE T.2 (TYP.)

(2) ClarkDietrich BUILDING SYSTEMS S54X WITH (2) SCREWS AS REQUIRED, PER LEG, SUPPORT CLIP LENGTH (X) PER TABLE T.1



OPTION 1

ClarkDietrich BUILDING SYSTEMS S54X WITH (2) SCREWS AS REQUIRED, PER LEG, SUPPORT CLIP LENGTH (X) PER TABLE T.1

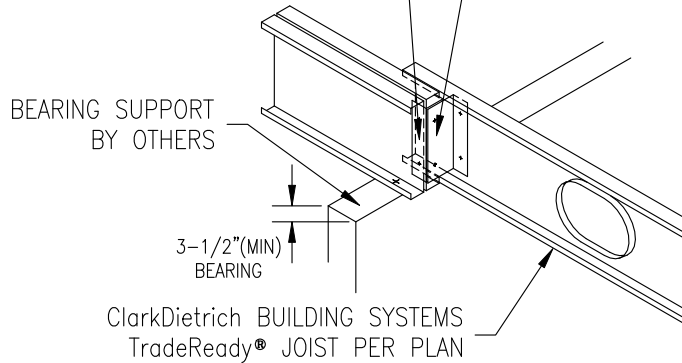
TABLE T.1

JOIST DEPTH	CLIP LENGTH (X)
7-1/4" - 8"	5"
9-1/4" - 10"	7"
11-1/4" - 14"	9"

TABLE T.2

SUPPORT TYPE	SUGGESTED FASTENER
STRUCTURAL STEEL, CONCRETE, OR CMU BEARING	0.145"Ø P.D.F.
WOOD	#8(MIN) APPROPRIATE SCREW
LIGHT GAUGE METAL FRAMING	#10-16 SCREWS

ClarkDietrich BUILDING SYSTEMS E54X WITH (2) SCREWS AS REQUIRED, PER LEG, SUPPORT CLIP LENGTH (X) PER TABLE T.1



OPTION 2

F1201 **JOIST LAP – SINGLE TO DOUBLE JOISTS**

 ClarkDietrich TradeReady Floor Joist System