



ClarkDietrich
 BUILDING SYSTEMS
 1434 Field Street
 Building 5, Suite #1
 Hammond, IN 46320
 Phone: (219) 955-9474
 Fax: (219) 955-9474
 www.clarkdietrich.com

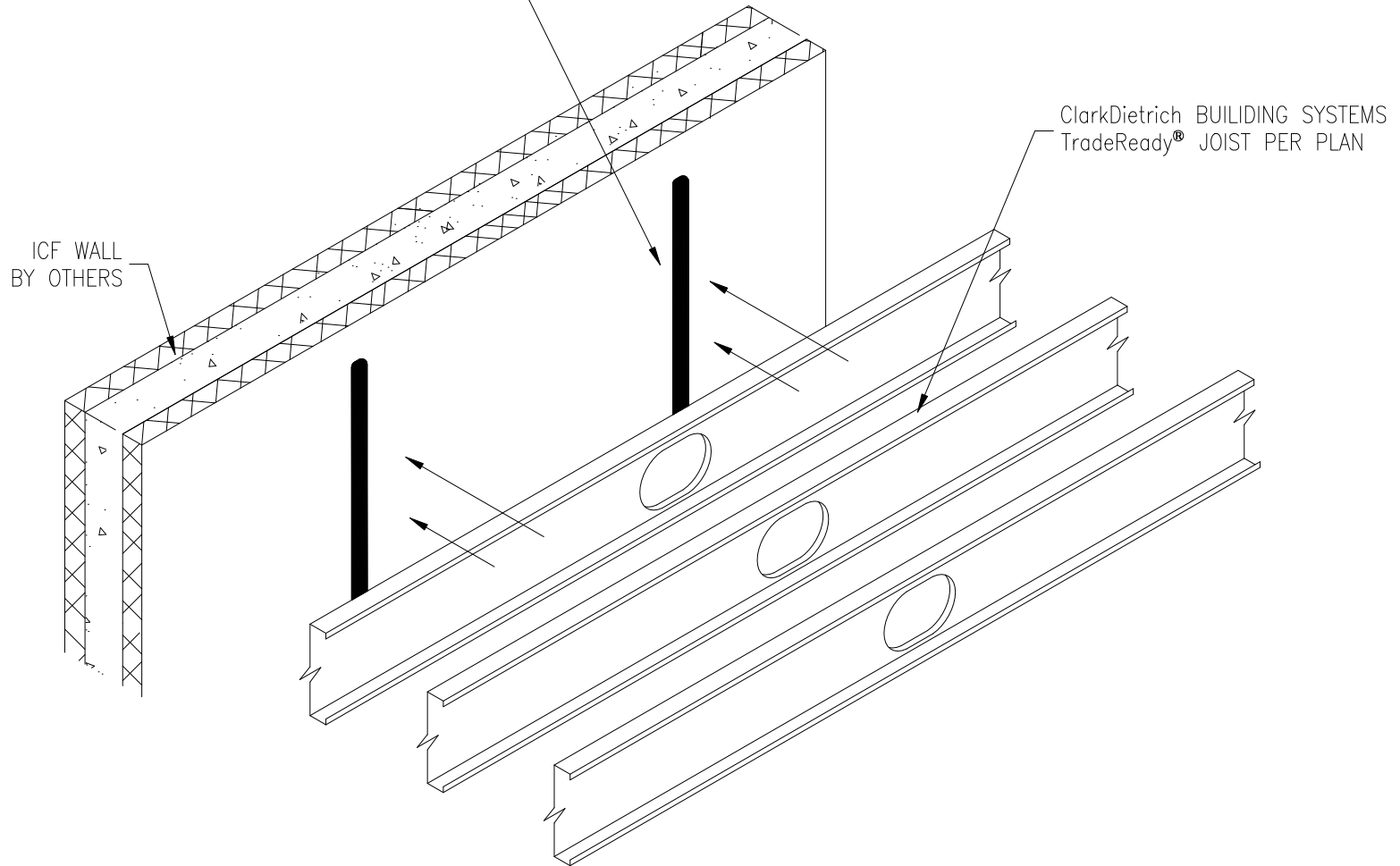
Engineering Services: (877) 832-3206

TradeReady® FLOOR DETAILS

Technical Services: (888) 437-3244

DRAWING:
F1155

CONNECT TO FURRING STRIP
 EVERY 4'0" O.C. (max) WITH
 SCREWS AS REQ'D BY DESIGN



F1155

ICF — JOISTS PARALLEL TO WALL

ClarkDietrich TradeReady Floor Joist System