



**ClarkDietrich**  
BUILDING SYSTEMS

9100 Centre Pointe Dr. West Chester, OH 45088  
Suite 210 Phone: (513) 870-9100

**TradeReady® FLOOR DETAILS**

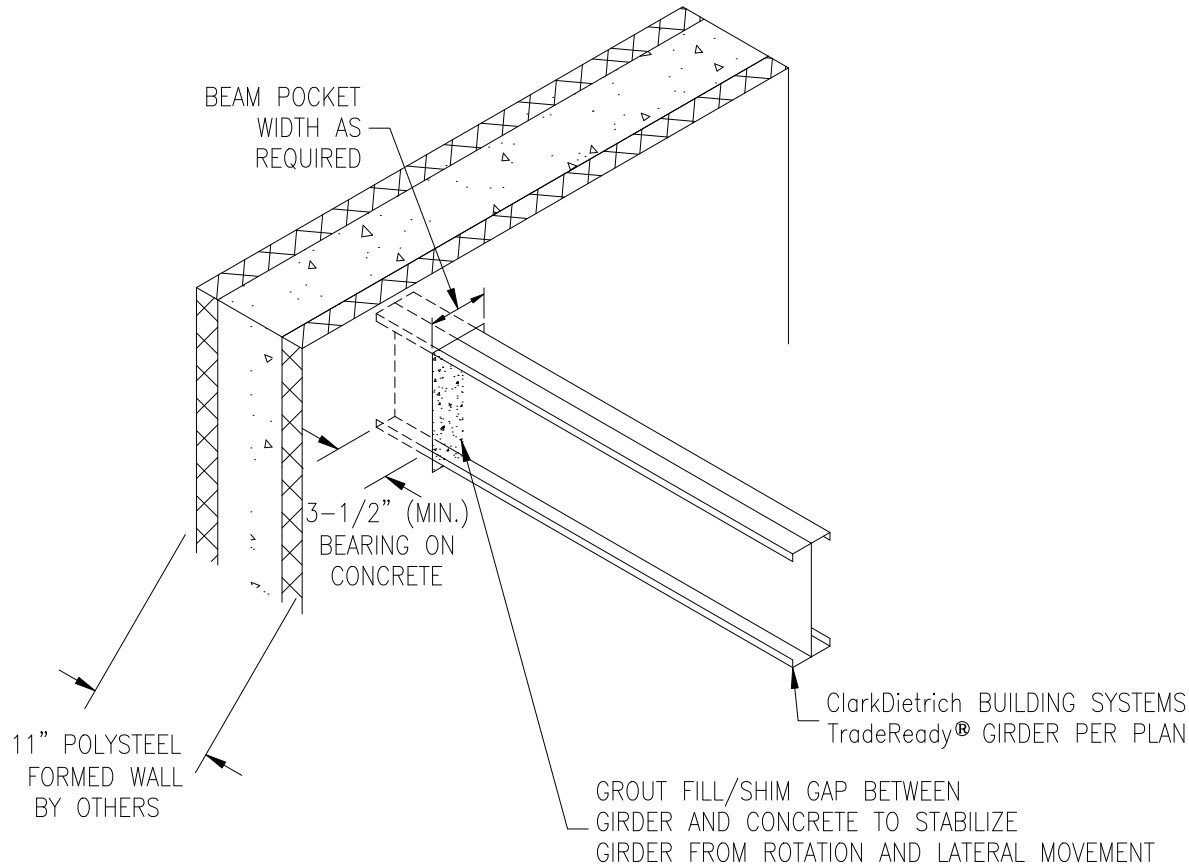
Engineering Services: (877) 832-3206

Technical Services: (888) 437-3244

DRAWING:  
**F1154**

WARNING

UNDER SERVICE CONDITIONS, ICF WALL MUST BE FREE FROM MOISTURE @ JOIST BEARING, OTHERWISE JOIST CORROSION MAY OCCUR.



F1154

**ICF – GIRDER BEAM POCKET**

ClarkDietrich TradeReady Floor Joist System