

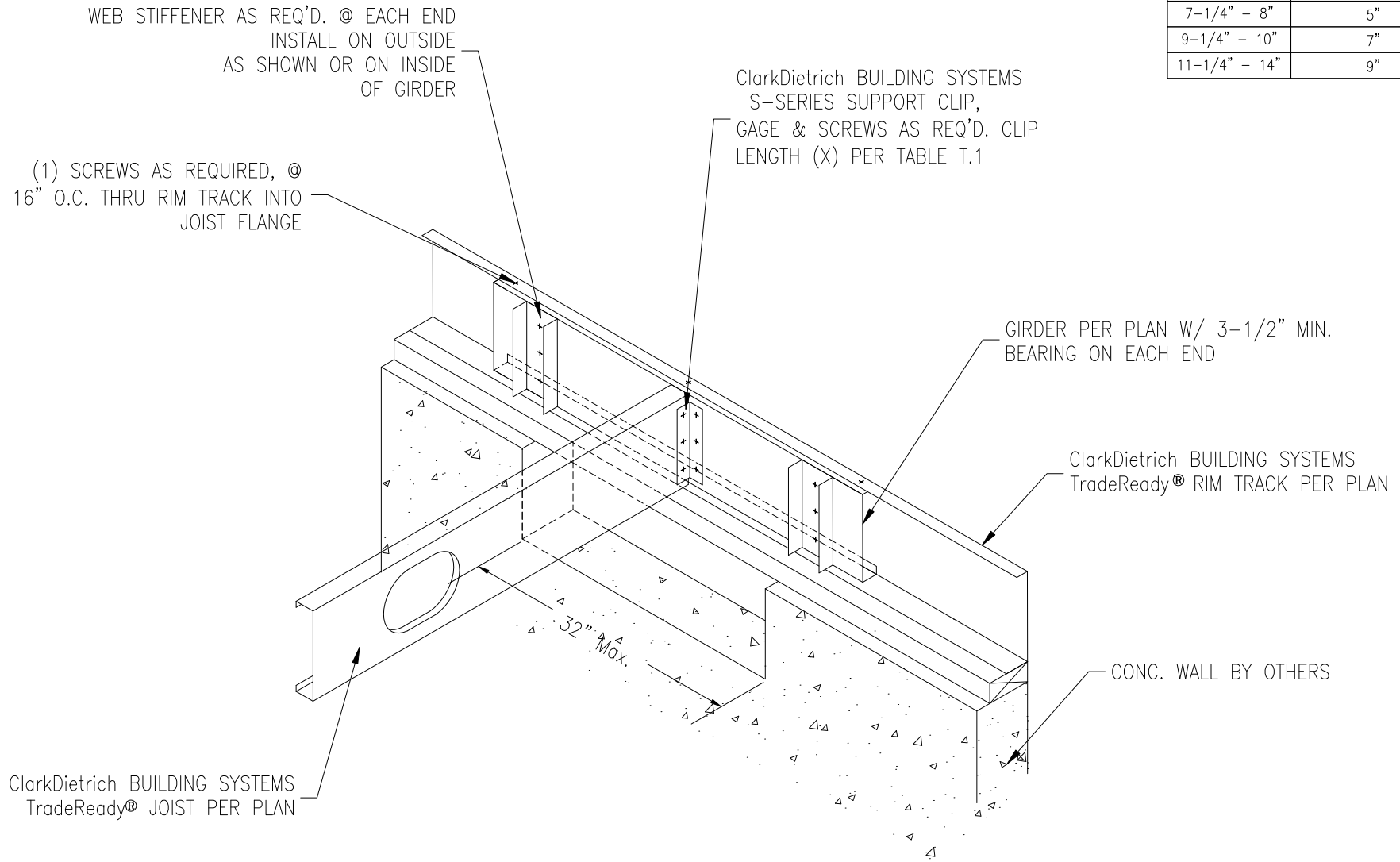


ClarkDietrich
BUILDING SYSTEMS
9100 Centre Pointe Dr. West Chester, OH 45088
Suite 210 Phone: (613) 870-9100

TradeReady® FLOOR DETAILS
Engineering Services: (877) 832-3206
Technical Services: (888) 437-3244

TABLE T.1

JOIST DEPTH	CLIP LENGTH (X)
7-1/4" - 8"	5"
9-1/4" - 10"	7"
11-1/4" - 14"	9"



F1131

HEADER FRAMING — OVER FOUNDATION OPENING — 1

ClarkDietrich TradeReady Floor Joist System