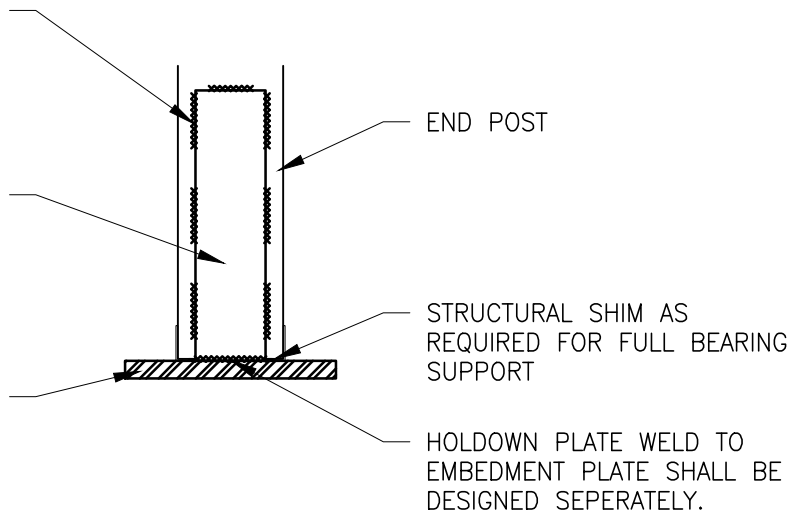


OPTION: WELDED HOLDOWN PLATE.
CAPACITIES LISTED ARE FOR HDP AND WELDS
(SEE CLARKDIETRICH CATALOG). ENDPOST
BASE METAL WELD CAPACITY SHALL BE
CHECKED SEPERATELY.

CLARKDIETRICH HOLDOWN
PLATE (HDP)

FOUNDATION EMBEDMENT
PLATE



OPTION: WELDED HOLDOWN PLATE.
CAPACITIES LISTED ARE FOR HDP AND WELDS
(SEE CLARKDIETRICH CATALOG). ENDPOST
BASE METAL WELD CAPACITY SHALL BE
CHECKED SEPERATELY.

COLD-FORMED STEEL
SHEARWALL ENDPOST

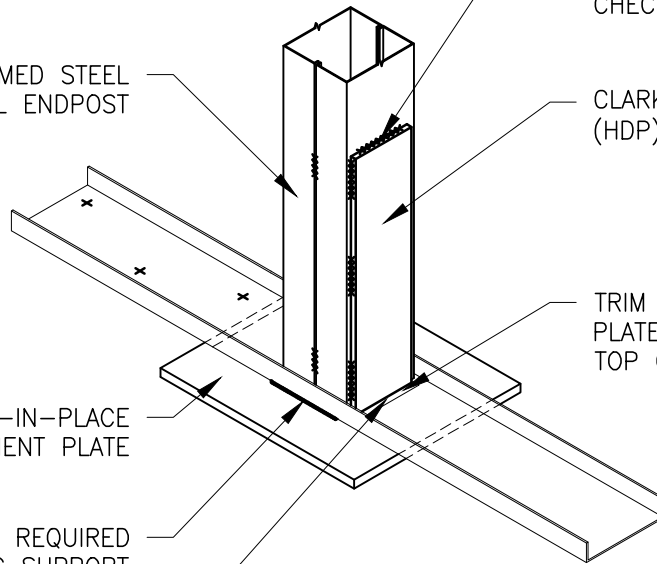
CLARKDIETRICH HOLDOWN
PLATE (HDP)

TRIM STUD TRACK TO ALLOW
PLATE TO PASS THROUGH TO
TOP OF EMBED PLATE

FOUNDATION CAST-IN-PLACE
EMBEDMENT PLATE

STRUCTURAL SHIM AS REQUIRED
FOR FULL BEARING SUPPORT

HOLDOWN PLATE WELD TO
EMBEDMENT PLATE SHALL BE
DESIGNED SEPERATELY.



HOLDOWN PLATE DETAIL HDP-EP-2

LSF ENDPOST TO EMBEDMENT PLATE



Engineering Services: (877) 832-3206

Technical Services: (888) 437-3244

The CAD detail library is intended to provide general framing details only and does not replace the judgments and designs of a qualified architect and/or engineer. The details are provided as a starting tool to assist the user in creating and detailing cold-formed steel framing construction details. Each detail including accompanying text must be thoroughly evaluated and approved by a qualified architect or engineer. | Find over 500 CAD details at cad.clarkdietrich.com | © Copyright 2020 ClarkDietrich