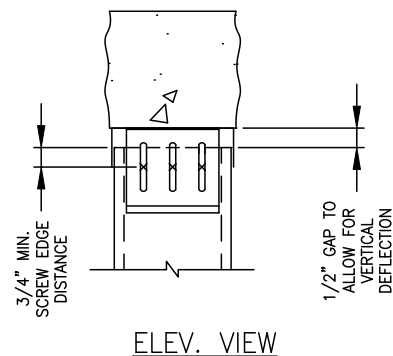


ClarkDietrich BUILDING SYSTEMS
 FTC-500 WITH (3) PROPRIETARY
 SCREWS AT TOP SCORELINE TO
 STUD AND ATTACHED TO
 CONCRETE AS REQ'D BY DESIGN

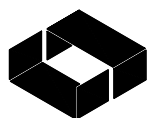
ClarkDietrich BUILDING SYSTEMS
 TYPICAL STUD

ENGINEER OF RECORD:
 VERIFY GAP DEPTH.



0" to 3/4" GAP = TOP SCORELINE
 > 3/4" to 1-1/4" MAX. = MIDDLE SCORELINE
 > 1-1/4" to 1-1/2" MAX. = BOTTOM SCORELINE

FAST TOP CLIPS (FTC5)-CONC



ClarkDietrich.
 BUILDING SYSTEMS

Engineering Services: (877) 832-3206

Technical Services: (888) 437-3244