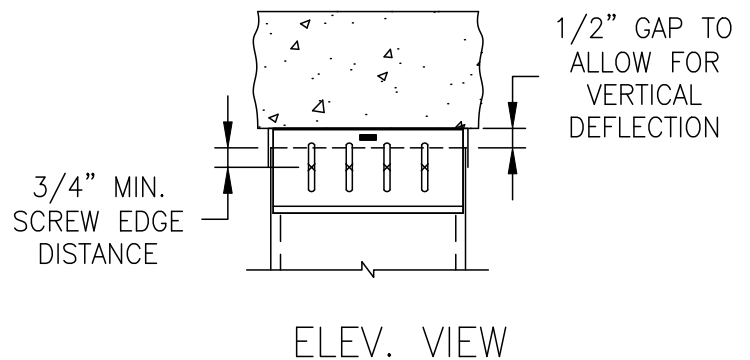


CLARKDIETRICH FTC10 WITH  
(4) PROPRIETARY SCREWS AT TOP  
SCORELINE TO STUD AND ATTACHED TO  
CONCRETE AS REQUIRED BY DESIGN

CLARKDIETRICH BUILDING  
SYSTEMS TYPICAL STUD

ENGINEER OF RECORD:  
VERIFY GAP DEPTH.



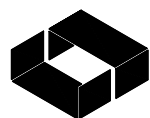
1/2" GAP TO  
ALLOW FOR  
VERTICAL  
DEFLECTION

3/4" MIN.  
SCREW EDGE  
DISTANCE

ELEV. VIEW

0" to 3/4" GAP = TOP SCORELINE  
> 3/4" to 1-1/4" MAX. = MIDDLE SCORELINE  
> 1-1/4" to 1-1/2" MAX. = BOTTOM SCORELINE

## FAST TOP CLIPS (FTC10)-CONC



**ClarkDietrich.**  
BUILDING SYSTEMS

Engineering Services: (877) 832-3206

Technical Services: (888) 437-3244

The CAD detail library is intended to provide general framing details only and does not replace the judgments and designs of a qualified architect and/or engineer. The details are provided as a starting tool to assist the user in creating and detailing cold-formed steel framing construction details. Each detail including accompanying text must be thoroughly evaluated and approved by a qualified architect or engineer.

Find over 500 CAD details at [cad.clarkdietrich.com](http://cad.clarkdietrich.com)

© Copyright 2019 ClarkDietrich