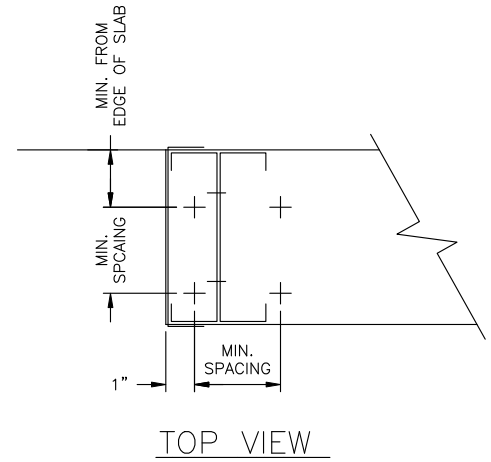


CAP OPENING SIDE OF JAMB
w/TRACK ATTACHED
w/(1)#10-16 SCREW
@ 16"o.c. IN EACH LEG.

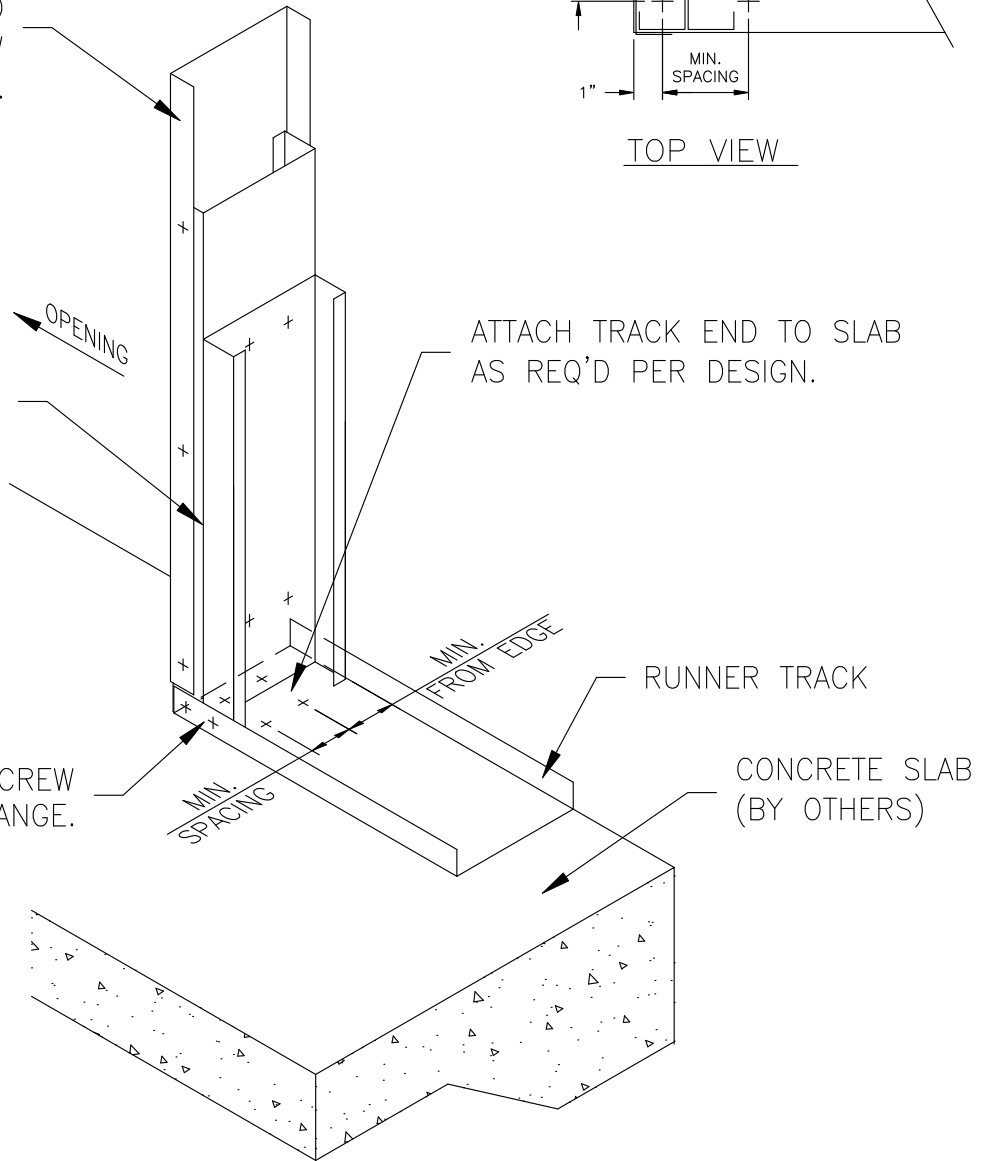


TOP VIEW

FULL HEIGHT JAMB STUDS.
MEMBER SIZES AS REQ'D
PER DESIGN.

ATTACH TRACK END TO SLAB
AS REQ'D PER DESIGN.

(1)#10-16 SCREW
@ EACH FLANGE.



DOOR JAMB ANCHORAGE

(2)JAMB ANCHORAGE TO STRUCTURE
w/(4) FASTENER's

Engineering Services: (877) 832-3206
Technical Services: (888) 437-3244

The ClarkDietrich's detail library is intended to provide general framing details only and does not replace the judgments and designs of a qualified architect and/or engineer. The details are provided as a starting tool to assist the user in creating and detailing cold-formed steel framing construction details.

Each detail including accompanying text must be thoroughly evaluated and approved by a qualified architect or engineer.

Find over 500 CAD details at cad.clarkdietrich.com

© Copyright 2015 ClarkDietrich Building Systems