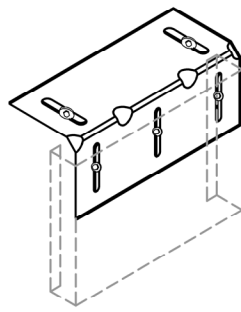
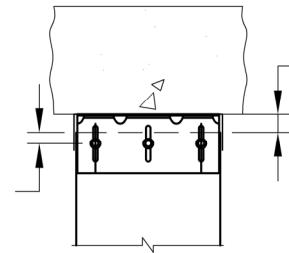


HARD SIDE  
INSTALLATION



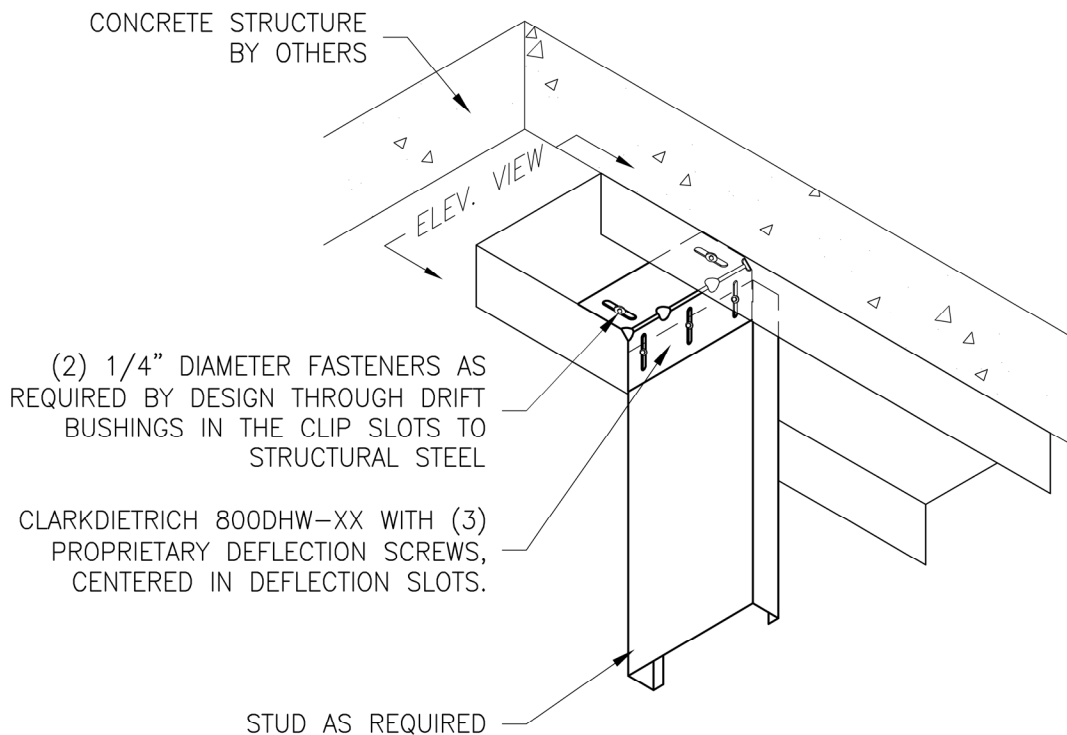
SOFT SIDE  
INSTALLATION

MAINTAIN SCREW  
MINIMUM EDGE  
DISTANCE



GAP AS REQ'D  
TO ALLOW  
FOR VERTICAL  
DEFLECTION

ELEV. VIEW



**INSTALLATION NOTES:**

- LATERAL BRACING RECOMMENDED  
NOT MORE THAN 12" FROM TOP  
OF STUD

DRIFT HEAD-OF-WALL (800DHW)  
CONNECTION TO CONCRETE STRUCTURE



Engineering Services: (877) 832-3206

Technical Services: (888) 437-3244