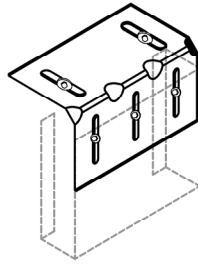
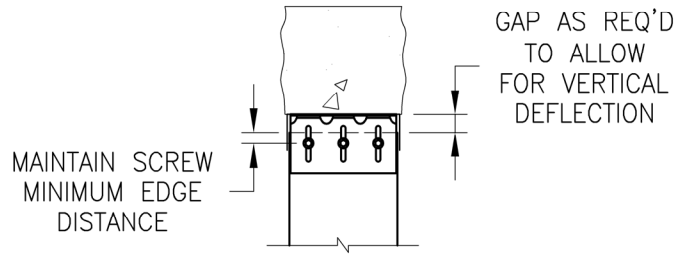


HARD SIDE
INSTALLATION



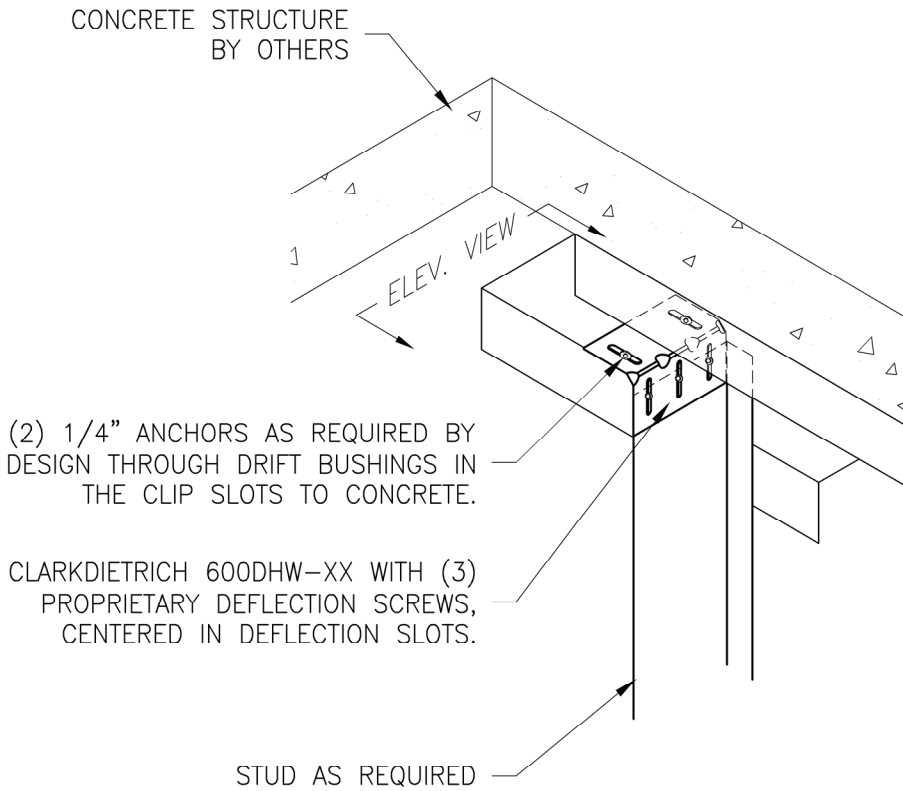
SOFT SIDE
INSTALLATION



MAINTAIN SCREW
MINIMUM EDGE
DISTANCE

GAP AS REQ'D
TO ALLOW
FOR VERTICAL
DEFLECTION

ELEV. VIEW



INSTALLATION NOTES:

- LATERAL BRACING RECOMMENDED
NOT MORE THAN 12" FROM TOP
OF STUD

DRIFT HEAD-OF-WALL (600DHW)

Connecstion to Concrete Structure



Engineering Services: (877) 832-3206

Technical Services: (888) 437-3244