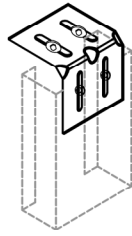
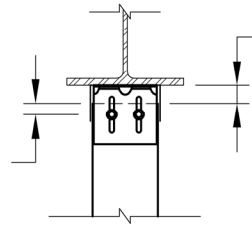


HARD SIDE
INSTALLATION



SOFT SIDE
INSTALLATION

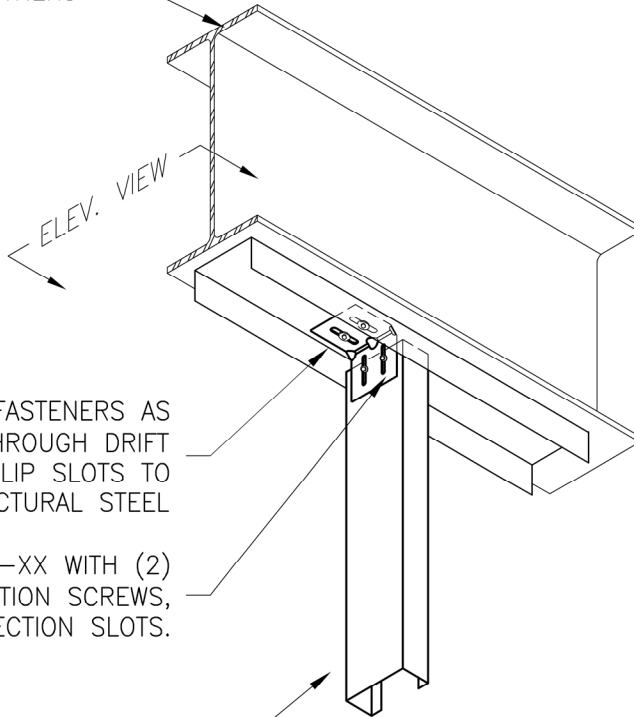
MAINTAIN SCREW
MINIMUM EDGE
DISTANCE



ELEV. VIEW

GAP AS REQ'D
TO ALLOW
FOR VERTICAL
DEFLECTION

CONTINUOUS STRL
STEEL BY OTHERS



ELEV. VIEW

(2) 1/4" DIAMETER FASTENERS AS
REQUIRED BY DESIGN THROUGH DRIFT
BUSHINGS IN THE CLIP SLOTS TO
STRUCTURAL STEEL

CLARKDIETRICH 362DHW-XX WITH (2)
PROPRIETARY DEFLECTION SCREWS,
CENTERED IN DEFLECTION SLOTS.

STUD AS REQUIRED

INSTALLATION NOTES:

- LATERAL BRACING RECOMMENDED
NOT MORE THAN 12" FROM TOP
OF STUD

DRIFT HEAD-OF-WALL (362DHW)
CONNECTION TO STEEL STRUCTURE



Engineering Services: (877) 832-3206

Technical Services: (888) 437-3244