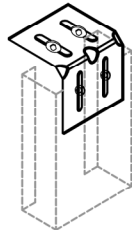
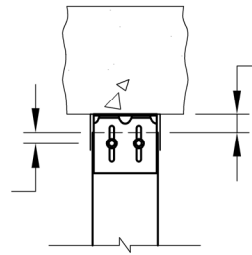


HARD SIDE  
INSTALLATION



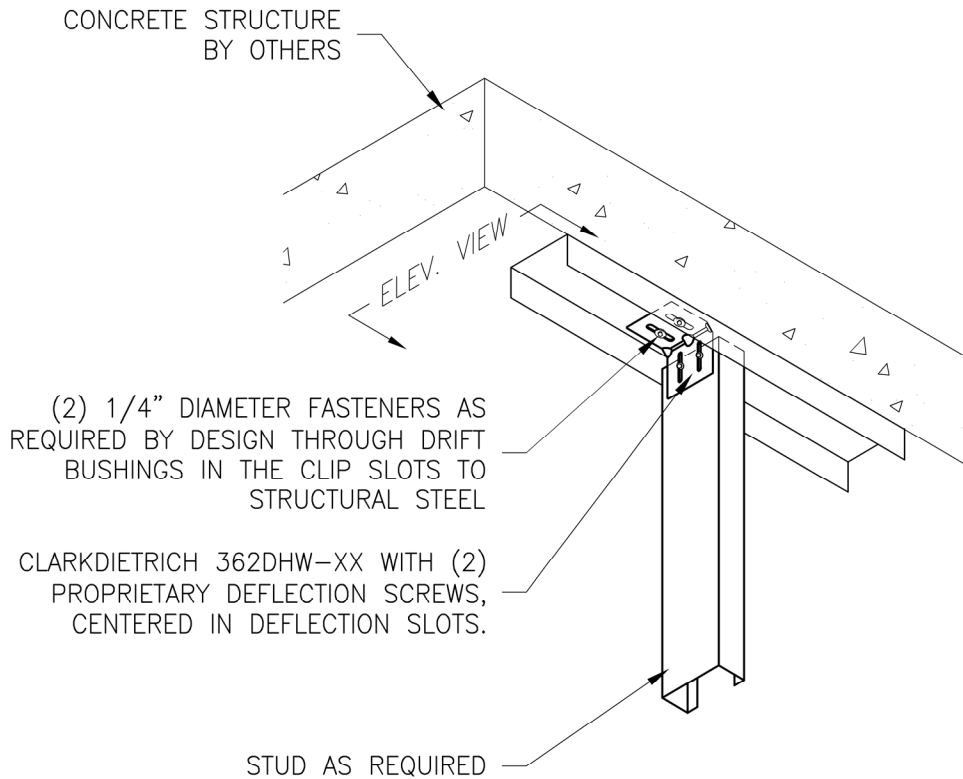
SOFT SIDE  
INSTALLATION

MAINTAIN SCREW  
MINIMUM EDGE  
DISTANCE



GAP AS REQ'D  
TO ALLOW  
FOR VERTICAL  
DEFLECTION

ELEV. VIEW



INSTALLATION NOTES:

- LATERAL BRACING RECOMMENDED  
NOT MORE THAN 12" FROM TOP  
OF STUD

DRIFT HEAD-OF-WALL (362DHW)  
CONNECTION TO CONCRETE STRUCTURE



Engineering Services: (877) 832-3206

Technical Services: (888) 437-3244

The CAD detail library is intended to provide general framing details only and does not replace the judgments and designs of a qualified architect and/or engineer. The details are provided as a starting tool to assist the user in creating and detailing cold-formed steel framing construction details. Each detail including accompanying text must be thoroughly evaluated and approved by a qualified architect or engineer. | Find over 500 CAD details at [cad.clarkdietrich.com](http://cad.clarkdietrich.com) | © Copyright 2020 ClarkDietrich