

Flat Tail™ Slide Clip

Curtain Wall/Bypass

Allows for vertical building movement and provides a horizontal standoff.

ClarkDietrich's Flat Tail™ Slide Clip is used to attach exterior curtain wall studs to the building structure and provide for 2-1/4" vertical building movement independent of the cold-formed steel framing. A Flat Tail Slide Clip provides variable standoff and eliminates the need for shims or additional framing components. The clip easily fastens to the floor/ceiling beam and is secured to the stud with ClarkDietrich proprietary deflection screws. The clip restricts lateral movement, but enables vertical movement.

INSTALLATION

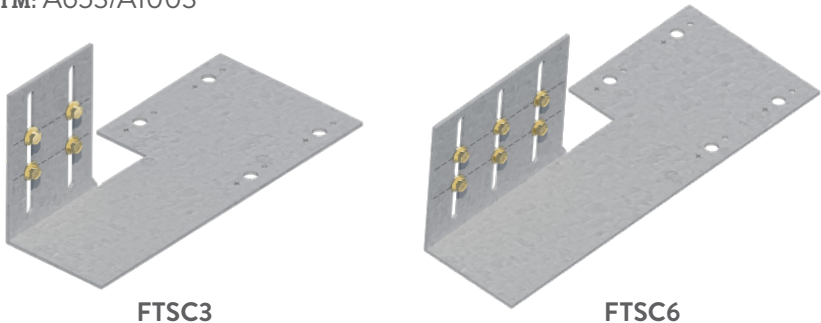
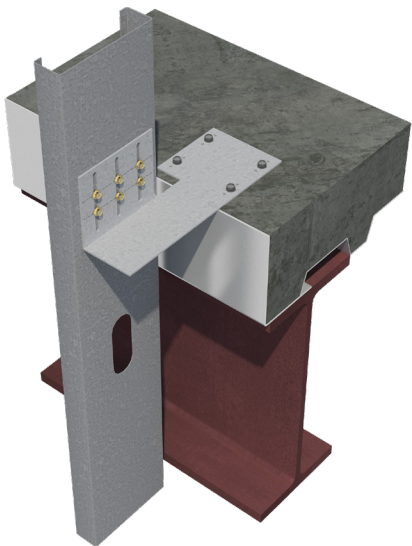
Connection to the building can be made with screws, powder-actuated fasteners (PAFs), or by welding. Mechanical fasteners shall be located in the pilot holes. (2) FastClip Deflection Screws are required in each slot to attach the clip to the cold-formed steel framing. Screws shall be placed in the slot with 1" center-to-center spacing using guide lines as a reference.

CLIP THICKNESS

- Gauge:** 12 gauge (97mil) **Gauge:** 10 gauge (118mil)
- Design Thickness:** 0.1017 inches **Design Thickness:** 0.1242 inches
- Min. Thickness:** 0.0966 inches **Min. Thickness:** 0.1180 inches

MATERIAL SPECIFICATIONS

- Coatings:** G90
- Yield Strength:** 50ksi
- ASTM:** A653/A1003



Flat Tail™ Slide Clip (FTSC)

Product code	Thickness		Size (in)	Packaging Pcs./Bucket
	Mils (Gauge)	Design thickness (in)		
FTSC3-97	97mil (12ga)	0.1017	4-1/2" x 9-1/2" x 4-1/4"	25
FTSC3-118	118mil (10ga)	0.1242	4-1/2" x 9-1/2" x 4-1/4"	25

Product code	Thickness		Size (in)	Packaging Pcs./Bucket
	Mils (Gauge)	Design thickness (in)		
FTSC6-97	97mil (12ga)	0.1017	4-1/2" x 11-1/2" x 4-1/4"	25
FTSC6-118	118mil (10ga)	0.1242	4-1/2" x 11-1/2" x 4-1/4"	25

Notes:

- Clips: 25 clips per bucket.
- Includes 110 FastClip™ deflection screws for FTSC3 per bucket.
- Includes 160 FastClip™ deflection screws for FTSC6 per bucket.

FASTCLIP™ DEFLECTION SCREWS

Many of the ClarkDietrich deflection clips include our proprietary FastClip fastener that has been specifically designed to provide friction-free deflection. These fasteners eliminate drag, binding or resistance that can often occur with common fasteners.



FastClip™ Deflection Screw

Flat Tail™ Slide Clip (FTSC)

3-5/8" Flat Tail Slide Clip™ (FTSC3)

Product code	Mils (Gauge)	Yield Strength	Mechanically Anchored to Structure	ASD Allowable Loads (lbs)								
				Concentric			Eccentric			Percentage Variation		
				F1 Load w/6 #14	F2 Load w/6 #14	F3 Load w/6 #14	F1 Load w/6 #14	F2 Load w/6 #14	F3Load w/6 #14	F1 Load w/6 #14	F2Load w/6 #14	F3 Load w/6 #14
FTSC3-97 97mil (12ga)	97mil (12ga)	50ksi	(2) Fasteners to be designed by others	468	909	699	468	918	647	0%	1%	-7%
FTSC3-118 118mil (10ga)	118mil (10ga)	50ksi		468	924	924	468	866	822	0%	-6%	-11%

3-5/8" Flat Tail Slide Clip™ (FTSC3)

Product code	Mils (Gauge)	Yield Strength	Mechanically Anchored to Structure	ASD Allowable Loads (lbs)								
				Concentric			Eccentric			Percentage Variation		
				F1 Load w/6 #14	F2 Load w/6 #14	F3 Load w/6 #14	F1 Load w/6 #14	F2 Load w/6 #14	F3Load w/6 #14	F1 Load w/6 #14	F2Load w/6 #14	F3 Load w/6 #14
FTSC3-97 97mil (12ga)	97mil (12ga)	50ksi	(2) 1/4-28 Fasteners in 3/16" steel	305	847	699	251	689	647	-18%	-19%	-7%
FTSC3-118 118mil (10ga)	118mil (10ga)	50ksi		337	924	924	272	744	744	-19%	-19%	-19%

3-5/8" Flat Tail Slide Clip™ (FTSC3)

Product code	Mils (Gauge)	Yield Strength	Mechanically Anchored to Structure	ASD Allowable Loads (lbs)								
				Concentric			Eccentric			Percentage Variation		
				F1 Load w/6 #14	F2 Load w/6 #14	F3 Load w/6 #14	F1 Load w/6 #14	F2 Load w/6 #14	F3Load w/6 #14	F1 Load w/6 #14	F2Load w/6 #14	F3 Load w/6 #14
FTSC3-97 97mil (12ga)	97mil (12ga)	50ksi	(2) 12-24 Fasteners in 3/16" steel	258	716	699	213	585	585	-17%	-18%	-16%
FTSC3-118 118mil (10ga)	118mil (10ga)	50ksi		276	763	763	225	616	616	-18%	-19%	-19%

3-5/8" Flat Tail Slide Clip™ (FTSC3)

Product code	Mils (Gauge)	Yield Strength	Mechanically Anchored to Structure	ASD Allowable Loads (lbs)								
				Concentric			Eccentric			Percentage Variation		
				F1 Load w/6 #14	F2 Load w/6 #14	F3 Load w/6 #14	F1 Load w/6 #14	F2 Load w/6 #14	F3Load w/6 #14	F1 Load w/6 #14	F2Load w/6 #14	F3 Load w/6 #14
FTSC3-97 97mil (12ga)	97mil (12ga)	50ksi	(2) 0.157" PAFs in 3/16" steel	230	641	641	195	538	538	-15%	-16%	-16%
FTSC3-118 118mil (10ga)	118mil (10ga)	50ksi		230	641	641	195	538	538	-15%	-16%	-16%

3-5/8" Flat Tail Slide Clip™ (FTSC3)

Product code	Mils (Gauge)	Yield Strength	Mechanically Anchored to Structure	ASD Allowable Loads (lbs)								
				Concentric			Eccentric			Percentage Variation		
				F1 Load w/6 #14	F2 Load w/6 #14	F3 Load w/6 #14	F1 Load w/6 #14	F2 Load w/6 #14	F3Load w/6 #14	F1 Load w/6 #14	F2Load w/6 #14	F3 Load w/6 #14
FTSC3-97 97mil (12ga)	97mil (12ga)	50ksi	(2) 1/4" Hilti Kwik HUS-EZ	303	847	699	259	717	647	-15%	-15%	-7%
FTSC3-118 118mil (10ga)	118mil (10ga)	50ksi	2-1/2" Embedment in to 3000psi uncracked	303	847	847	259	717	717	-15%	-15%	-15%

6" Flat Tail Slide Clip™ (FTSC6)

Product code	Mils (Gauge)	Yield Strength	Mechanically Anchored to Structure	ASD Allowable Loads (lbs)								
				Concentric			Eccentric			Percentage Variation		
				F1 Load w/6 #14	F2 Load w/6 #14	F3 Load w/6 #14	F1 Load w/6 #14	F2 Load w/6 #14	F3 Load w/6 #14	F1 Load w/6 #14	F2 Load w/6 #14	F3 Load w/6 #14
FTSC6-97 97mil (12ga)	97mil (12ga)	50ksi	(2) Fasteners to be designed by others	444	1383	1063	407	1474	1051	-8%	7%	-1%
FTSC6-118 118mil (10ga)	118mil (10ga)	50ksi		492	2026	1439	622	1962	1629	26%	-3%	13%

6" Flat Tail Slide Clip™ (FTSC6)

Product code	Mils (Gauge)	Yield Strength	Mechanically Anchored to Structure	ASD Allowable Loads (lbs)								
				Concentric			Eccentric			Percentage Variation		
				F1 Load w/6 #14	F2 Load w/6 #14	F3 Load w/6 #14	F1 Load w/6 #14	F2 Load w/6 #14	F3 Load w/6 #14	F1 Load w/6 #14	F2 Load w/6 #14	F3 Load w/6 #14
FTSC6-97 97mil (12ga)	97mil (12ga)	50ksi	(2) 1/4-28 Fasteners in 3/16" steel	283	847	847	236	689	689	-17%	-19%	-19%
FTSC6-118 118mil (10ga)	118mil (10ga)	50ksi		314	931	931	257	744	744	-18%	-20%	-20%

6" Flat Tail Slide Clip™ (FTSC6)

Product code	Mils (Gauge)	Yield Strength	Mechanically Anchored to Structure	ASD Allowable Loads (lbs)								
				Concentric			Eccentric			Percentage Variation		
				F1 Load w/6 #14	F2 Load w/6 #14	F3 Load w/6 #14	F1 Load w/6 #14	F2 Load w/6 #14	F3 Load w/6 #14	F1 Load w/6 #14	F2 Load w/6 #14	F3 Load w/6 #14
FTSC6-97 97mil (12ga)	97mil (12ga)	50ksi	(2) 12-24 Fasteners in 3/16" steel	239	716	716	200	585	585	-16%	-18%	-18%
FTSC6-118 118mil (10ga)	118mil (10ga)	50ksi		256	763	763	212	616	616	-17%	-19%	-19%

6" Flat Tail Slide Clip™ (FTSC6)

Product code	Mils (Gauge)	Yield Strength	Mechanically Anchored to Structure	ASD Allowable Loads (lbs)								
				Concentric			Eccentric			Percentage Variation		
				F1 Load w/6 #14	F2 Load w/6 #14	F3 Load w/6 #14	F1 Load w/6 #14	F2 Load w/6 #14	F3 Load w/6 #14	F1 Load w/6 #14	F2 Load w/6 #14	F3 Load w/6 #14
FTSC6-97 97mil (12ga)	97mil (12ga)	50ksi	(2) 0.157" PAFs in 3/16" steel	211	641	641	181	538	538	-14%	-16%	-16%
FTSC6-118 118mil (10ga)	118mil (10ga)	50ksi		211	641	641	181	538	538	-14%	-16%	-16%

6" Flat Tail Slide Clip™ (FTSC6)

Product code	Mils (Gauge)	Yield Strength	Mechanically Anchored to Structure	ASD Allowable Loads (lbs)								
				Concentric			Eccentric			Percentage Variation		
				F1 Load w/6 #14	F2 Load w/6 #14	F3 Load w/6 #14	F1 Load w/6 #14	F2 Load w/6 #14	F3 Load w/6 #14	F1 Load w/6 #14	F2 Load w/6 #14	F3 Load w/6 #14
FTSC6-97 97mil (12ga)	97mil (12ga)	50ksi	(2) 1/4" Hilti Kwik HUS-EZ	277	847	847	240	717	717	-13%	-15%	-15%
FTSC6-118 118mil (10ga)	118mil (10ga)	50ksi	2-1/2" Embedment in to 3000psi uncracked	277	847	847	240	717	717	-13%	-15%	-15%