

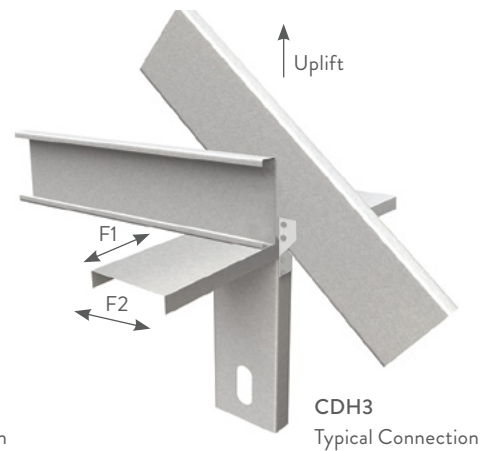
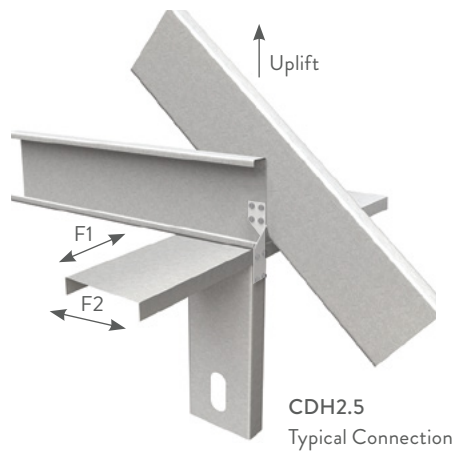
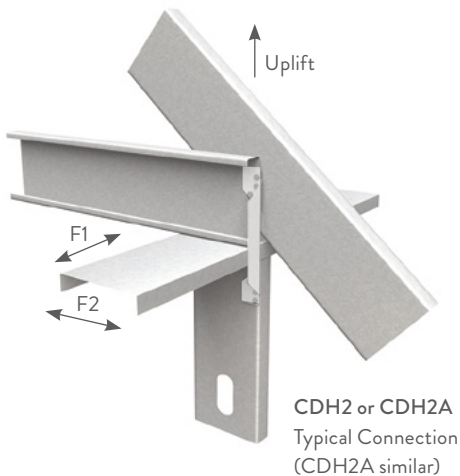
**CDH2 OR CDH2A INSTALLATION**

Place the tie so one end fits flush against the roof framing member and the other fits flush against the web of the wall stud. Attach the tie to the side of the rafter at the top and to the sides of the stud immediately below the top plate at the bottom. Fill all prepunched holes with a minimum of #10 self-drilling screws.

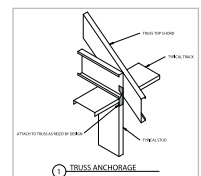
**CDH2.5 OR CDH3 INSTALLATION**

Place the tie so the top fits securely against the roof framing member and the bottom fits securely against the top plate and flange of the wall stud. Attach the tie to the rafter at the top and to the sides of the top plate and stud immediately below. Fill all prepunched holes with a minimum #10 self-drilling screws.

Reference section R 603.8.3.2 of the International Residential Code (IRC) or the engineer of records specification.



Typical Construction Details  
 Visit our CAD Library at [clarkdietrich.com](http://clarkdietrich.com)  
 to view or download construction details in  
 .dwg, .dxf, and .pdf formats.



**ClarkDietrich SEISMIC AND HURRICANE TIES**

Product code	Fasteners			Stud thickness mil (ga, ksi)	Max. Allowable Loads		
	To rafters / truss	To top track	To stud		Uplift	Lateral	
						F1	F2
CDH2	3 – #10	—	3 – #10	33 (20ga 33ksi)	405	—	—
				43 (18ga 33ksi)	445	—	—
				54 (16ga 50ksi)	465	—	—
				33 (20ga 33ksi)	405	90	120
CDH2A	3 – #10	1 – #10	3 – #10	43 (18ga 33ksi)	445	110	170
				54 (16ga 50ksi)	465	110	225
				33 (20ga 33ksi)	405	90	120
				43 (18ga 33ksi)	445	140	170
CDH2.5	4 – #10	—	4 – #10	33 (20ga 33ksi)	410	90	120
				43 (18ga 33ksi)	475	140	170
				54 (16ga 50ksi)	475	140	225
				33 (20ga 33ksi)	340	80	80
CDH3	2 – #10	2 – #10*	—	43 (18ga 33ksi)	465	110	140
				54 (16ga 50ksi)	475	110	195
				33 (20ga 33ksi)	340	80	80

**Notes:**

1 Loads have **not** been increased for wind or earthquake loading. \* Fasteners to top track must also penetrate.

Table note updated online 9/15/15.  
 7/13/15 Printed version showed: "Loads have been increased..."