

SwiftClip™ L-Series™ Support Clip

Support for the most demanding applications.

SwiftClip™ L-Series™ support clips are used in multiple construction projects, specifically in conjunction with structural studs and track. The L-shaped clips fit between the stud flanges, so that shorter length clips do not need to be ordered. These labor time-savers include prepunched holes for quicker screw attachments, and are punched to accommodate for CRC lateral bracing connections.

ALTERNATIVE PRODUCTS

- EasyClip™ E-Series™ Support Clip
- EasyClip™ S-Series™ Support Clip
- EasyClip™ U-Series™ Clip Angle
- EasyClip™ X-Series™ Clip Angle
- EasyClip™ A-Series™ End Clip
- EasyClip™ B-Series™ Clip Angle

PRODUCT DIMENSIONS

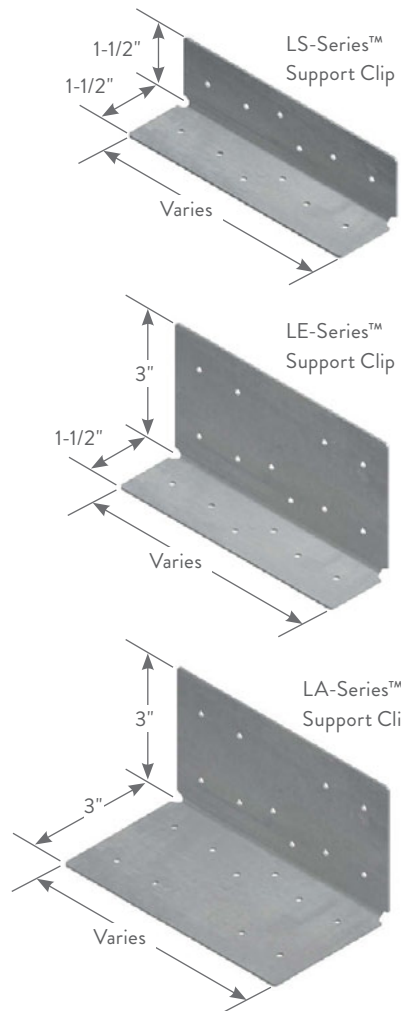
See chart below for available sizes.

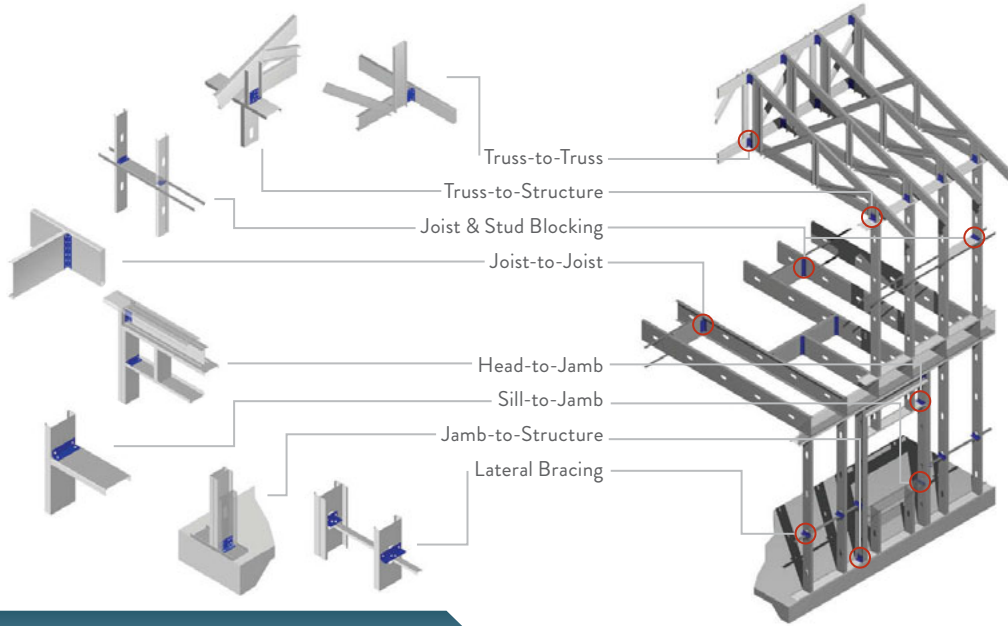
MATERIAL SPECIFICATIONS

- Gauge: 16 gauge (54mil)
- Design Thickness: 0.0566 inches
- Gauge: 14 gauge (68mil)
- Design Thickness: 0.0713 inches
- Gauge: 12 gauge (97mil)
- Design Thickness: 0.1017 inches
- Coating: G90
- Yield Strength: 50ksi
- ASTM: A653/A653M

SwiftClip™ L-Series™ SUPPORT CLIPS

Product code	Thickness			Size (in)	Common application	Packaging Pcs./Bucket
	Gauge	Mils	Design thickness (in)			
LS543	16	54	0.0566	1-1/2 x 1-1/2 x 3-1/4	CRC/Openings	300
LS683	14	68	0.0713		Openings	300
LS973	12	97	0.1017	1-1/2 x 1-1/2 x 5-1/2	Openings	200
LS545	16	54	0.0566		CRC/Openings/Joists	200
LS685	14	68	0.0713	1-1/2 x 1-1/2 x 7-1/4	Openings/Joists	200
LS975	12	97	0.1017		Openings/Joists	100
LS547	16	54	0.0566	1-1/2 x 1-1/2 x 9-1/4	CRC/Openings/Joists	150
LS687	14	68	0.0713		Openings/Joists	100
LS977	12	97	0.1017	1-1/2 x 1-1/2 x 11-1/4	Openings/Joists	100
LS549	16	54	0.0566		Joists	100
LS689	14	68	0.0713	1-1/2 x 1-1/2 x 13-1/4	Joists	100
LS979	12	97	0.1017		Joists	50
LS541	16	54	0.0566	1-1/2 x 3 x 3-1/4	Joists	100
LS681	14	68	0.0713		Joists	50
LS971	12	97	0.1017	1-1/2 x 3 x 5-1/2	Joists	50
LS5413	16	54	0.0566		Joists	50
LS6813	14	68	0.0713	1-1/2 x 3 x 7-1/4	Joists	50
LS9713	12	97	0.1017		Joists	25
LE543	16	54	0.0566	1-1/2 x 3 x 3-1/4	Fixed/Joists/Trusses	100
LE683	14	68	0.0713		Fixed/Joists/Trusses	100
LE973	12	97	0.1017	1-1/2 x 3 x 5-1/2	Fixed/Joists/Trusses	50
LE545	16	54	0.0566		Fixed/Joists/Trusses	100
LE685	14	68	0.0713	1-1/2 x 3 x 7-1/4	Fixed/Joists/Trusses	100
LE975	12	97	0.1017		Fixed/Joists/Trusses	50
LE547	16	54	0.0566	3 x 3 x 3-1/4	Fixed/Joists/Trusses	100
LE687	14	68	0.0713		Fixed/Joists/Trusses	50
LE977	12	97	0.1017	3 x 3 x 5-1/2	Fixed/Joists/Trusses	50
LA543	16	54	0.0566		Joists/Trusses	100
LA683	14	68	0.0713	3 x 3 x 7-1/4	Joists/Trusses	100
LA973	12	97	0.1017		Joists/Trusses	50
LA545	16	54	0.0566	3 x 3 x 5-1/2	Joists/Trusses	100
LA685	14	68	0.0713		Joists/Trusses	50
LA975	12	97	0.1017	3 x 3 x 7-1/4	Joists/Trusses	50
LA547	16	54	0.0566		Joists/Trusses	50
LA687	14	68	0.0713	3 x 3 x 5-1/2	Joists/Trusses	50
LA977	12	97	0.1017		Joists/Trusses	50



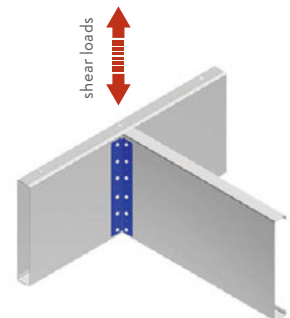


ALLOWABLE SHEAR LOAD TABLE

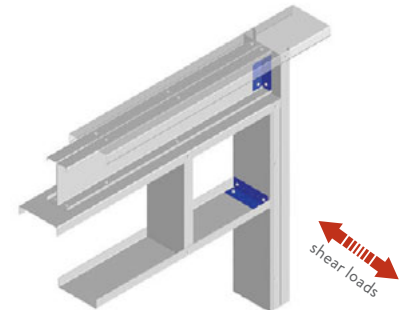
Product code	No. of screws/leg	Stud Thickness (Yield Strength)				
		20ga (33mil) 33ksi	18ga (43mil) 33ksi	16ga (54mil) 50ksi	14ga (68mil) 50ksi	12ga (97mil) 50ksi
LS543	2	294	438	777	777	777
	4	437	651	1154	1154	1154
LS683	2	294	438	777	777	777
	4	437	651	1154	1154	1154
LS973	2	294	438	777	777	777
	4	437	651	1154	1154	1154
LS545	2	333	496	880	880	880
	4	619	921	1635	1635	1635
LS685	2	333	496	880	880	880
	4	619	921	1635	1635	1635
LS975	2	333	496	880	880	880
	4	619	921	1635	1635	1635
LS547	4	651	968	1718	1718	1718
	6	966	1438	2551	2551	2551
LS687	4	651	968	1718	1718	1718
	6	966	1438	2551	2551	2551
LS977	4	651	968	1718	1718	1718
	6	966	1438	2551	2551	2551
LS549	4	670	997	1768	1768	1768
	6	1007	1498	2658	2658	2658
LS689	4	670	997	1768	1768	1768
	6	1007	1498	2658	2658	2658
LS979	4	670	997	1768	1768	1768
	6	1007	1498	2658	2658	2658
LS541	4	681	1013	1798	1798	1798
	6	1013	1508	2675	2675	2675
LS681	4	681	1013	1798	1798	1798
	6	1013	1508	2675	2675	2675
LS971	4	681	1013	1798	1798	1798
	6	1013	1508	2675	2675	2675
LS5413	4	688	1024	1816	1816	1816
	6	1020	1518	2694	2694	2694
LS6813	4	688	1024	1816	1816	1816
	6	1020	1518	2694	2694	2694
LS9713	4	688	1024	1816	1816	1816
	6	1020	1518	2694	2694	2694

Notes:

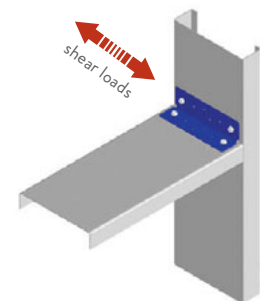
- 1 Shear values for clips are based on attachment to cold-formed steel members. Attachment to other substrates must be designed separately.
- 2 Place the first two screws in each leg in the outermost screw holes. Place the next two screws (if needed) in center holes next to the CRC holes (diagonals). The next screws (if needed) are placed moving from the outermost holes toward the center, symmetrically.
- 3 Shear values are based on the tilting bearing modes of failure Eq. E4.3.1-1, E4.3.1-2.
- 4 Allowable screw shear is based on a factor of safety of 3.0. #10 screws (0.19" min. diameter) must have minimum ultimate shear strength of 1400 lbs.
- 5 Screws must have three threads exposed after installation.
- 6 It is the responsibility of the design engineer to detail the attachment of clips and verify their capacity meets the application. This table is intended for use by qualified engineers.
- 7 For technical assistance or additional load charts contact ClarkDietrich at 888-437-3244.



Joist-to-Joist Connections



Head-to-Jamb Connections



Sill-to-Jamb Connections