

Universal Joist Hanger (UJH-68) 14GA

Floor joist connection to structural steel beams or CFS headers

The Universal Joist Hangers (UJH) 68mils (14ga) are used to connect joists to CFS headers (with screws, welds or PAF fasteners) and steel I-beams (with welds or PAF fasteners). The UJH is sized to fit joist sizes from 8" to 14" deep. Also available in 97mils (12ga).



PRODUCT DIMENSIONS

Dimensions: 4" x 7-1/2" long

Packaging: (25) pieces per bucket

MATERIAL SPECIFICATIONS

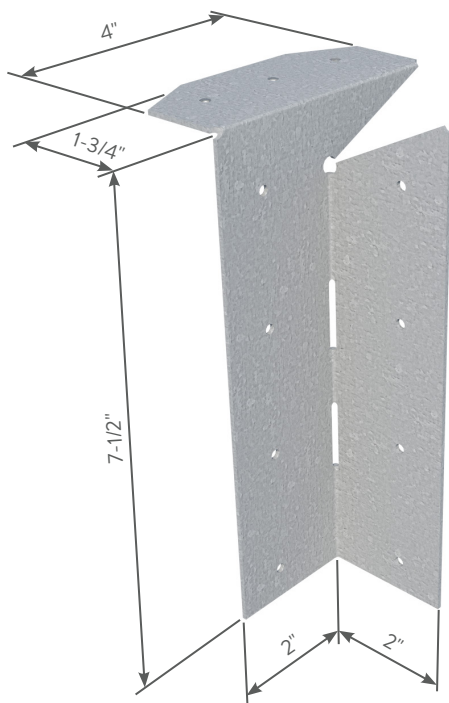
Gauge: 14 gauge (68mil)

Design Thickness: 0.0713"

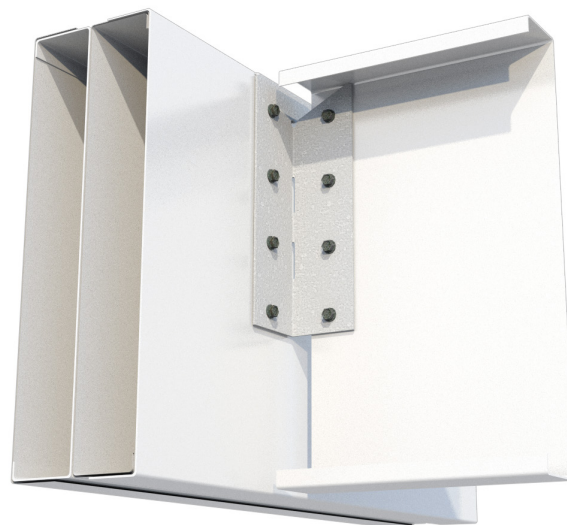
Yield Strength: Structural Grade 50
Type H (ST50H), 50ksi

Coating: G90

ASTM: A1003, ASTM A653



UJH-68

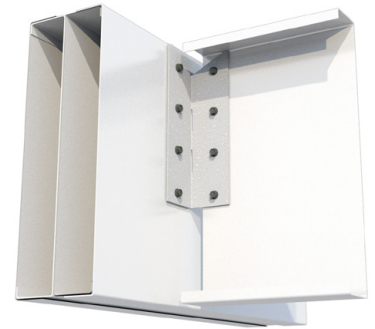


Universal Joist Hanger (UJH-68) 14GA

INSTALLATION

Clip to Joist Attachment:

- The joist flange must rest on top of the Universal Joist Hanger as shown in the image to the right. Attach the UJH hanger with specified number of #10 or #14 screws as listed in the table below under the Joist column.



Clip attachment to CFS Header:

- Attach the UJH hanger to the top and side (face) of the CFS Header with specified number of #10 screws as listed in the table below.

Clip attachment to Structural/Steel Beam

- Welded Connection:**
The minimum required weld to the top flange is 2" fillet weld to each side of top flange.
Special considerations must be taken when welding galvanized steel.
- PAF (Powder Actuated Fasteners):**
For powder actuated fasteners attachment (PAF, 0.157"), steel beam shall have minimum 3/16" thickness and minimum yield strength of 36ksi.



UJH-68 MILS (14GA)

Allowable Hanger Loads

Product code	Joist (Ga)	Header (Ga)	Fasteners			Allowable ASD Loads (lbs)		
			Top	Face	Joist	Uplift	Down	
UJH-68	ATTACHMENT TO CFS HEADER							
	18	16	2 - #10	2 - #10	2 - #10	430	473	
			3 - #10	4 - #10	4 - #10	860	946	
	16	16	2 - #10	2 - #10	2 - #10	797	789	
			3 - #10	4 - #10	4 - #10	1562	1548	
	14	14	2 - #10	2 - #10	2 - #10	852	935	
			3 - #10	4 - #10	4 - #10	1639	1798	
	12	12	2 - #10	2 - #10	2 - #10	906	1035	
			3 - #10	4 - #10	4 - #10	1710	1953	
	ATTACHMENT TO STEEL BEAM⁷							
	2" long fillet weld to each side of top flange					2 - #10	132	1035
						4 - #10	263	1285
2 x 0.157" Powder-actuated fastener					2 - #10	167	1035	
3 x 0.157" Powder-actuated fastener					4 - #10	241	1279	

Notes:

- Screws shall be installed through the pre-drilled holes in the hanger or as detailed by the designer.
- CFS joist shall be laterally braced per designer specification.
- For gaps up to 0.75" between the end of the joist and the face of the hanger, no adjustment factor is required.
- CFS header must be braced to prevent web crippling/buckling per designer specification.
- CFS header must have full bearing of 1-5/8" flange-depth.
- Backing in the steel beam cavity is not required behind the hanger for the load listed.
- Allowable loads to steel beam are based on a minimum of a single 54mil (16ga) CFS joist member.
- The ultimate screw shear strength for #10 screws and #14 screws shall be at least 1644 lbs. and 3048 lbs. respectively.
- The screw shear strength capacities are based of CFSEI Tech Note (F701-12).
- Allowable loads have not been increased for seismic or wind.
- Contact ClarkDietrich Engineering Services for technical assistance.

Universal Joist Hanger (UJH-97) 12GA

Floor joist connection to structural steel beams or CFS headers

The Universal Joist Hangers (UJH) 97mils (12ga) are used to connect joists to CFS headers (with screws, welds or PAF fasteners) and steel I-beams (with welds or PAF fasteners). The UJH is sized to fit joist sizes from 8" to 14" deep. Also available in 68mils (14ga).



PRODUCT DIMENSIONS

Dimensions: 4" x 7-1/2" long

Packaging: (25) pieces per bucket

MATERIAL SPECIFICATIONS

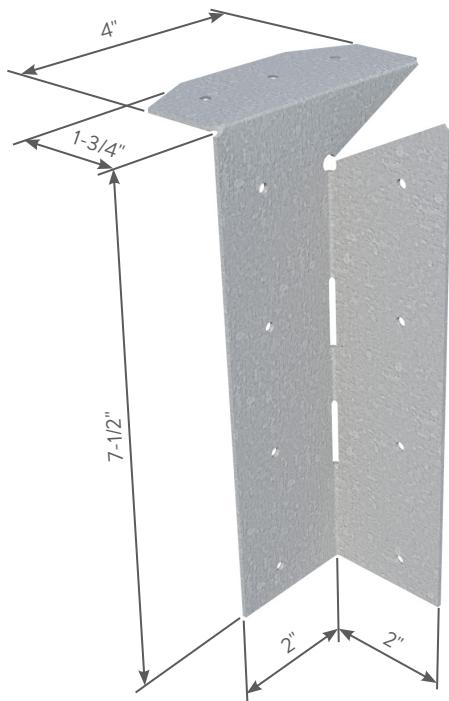
Gauge: 12 gauge (97mil)

Design Thickness: 0.1017"

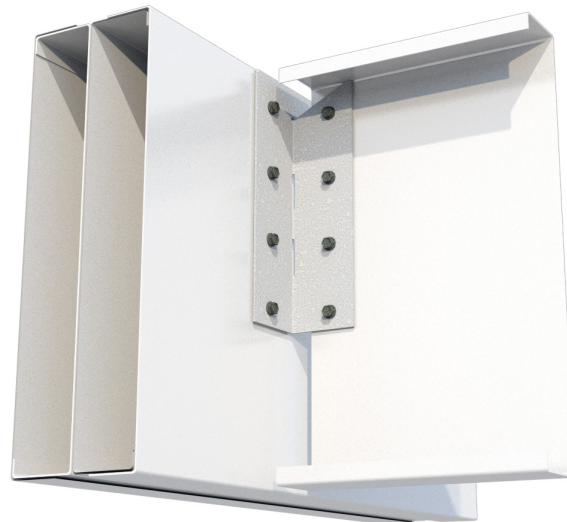
Yield Strength: Structural Grade 50
Type H (ST50H), 50ksi

Coating: G90

ASTM: A1003, ASTM A653



UJH-97

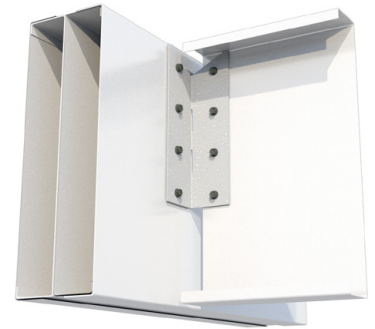


Universal Joist Hanger (UJH-97) 12GA

INSTALLATION

Clip to Joist Attachment:

- The joist flange must rest on top of the Universal Joist Hanger as shown in the image to the right. Attach the UJH hanger with specified number of #10 or #14 screws as listed in the table below under the Joist column.



Clip attachment to CFS Header:

- Attach the UJH hanger to the top and side (face) of the CFS Header with specified number of #10 screws as listed in the table below.

Clip attachment to Structural/Steel Beam

- Welded Connection:**
The minimum required weld to the top flange is 2" fillet weld to each side of top flange.
Special considerations must be taken when welding galvanized steel.
- PAF (Powder Actuated Fasteners):**
For powder actuated fasteners attachment (PAF, 0.157"), steel beam shall have minimum 3/16" thickness and minimum yield strength of 36ksi.



UJH-97 MILS (12GA)

Allowable Hanger Loads

Product code	Joist (Ga)	Header (Ga)	Fasteners			Allowable ASD Loads (lbs)		
			Top	Face	Joist	Uplift	Down	
UJH-97	ATTACHMENT TO CFS HEADER							
	18	16	2 - #10	2 - #10	2 - #14	439	489	
			3 - #10	4 - #10	4 - #14	860	959	
	16	16	2 - #10	2 - #10	2 - #14	944	940	
			3 - #10	4 - #10	4 - #14	1782	1773	
	14	14	2 - #10	2 - #10	2 - #14	1123	1327	
			3 - #10	4 - #10	4 - #14	2041	2413	
	12	12	2 - #10	2 - #10	2 - #14	1238	1898	
			3 - #10	4 - #10	4 - #14	2135	3273	
	ATTACHMENT TO STEEL BEAM⁷							
	2" long fillet weld to each side of top flange					2 - #14	201	1651
						4 - #14	401	1738
2 x 0.157" Powder-actuated fastener					2 - #14	255	1644	
3 x 0.157" Powder-actuated fastener					4 - #14	367	1730	

Notes:

- Screws shall be installed through the pre-drilled holes in the hanger or as detailed by the designer.
- CFS joist shall be laterally braced per designer specification.
- For gaps up to 0.75" between the end of the joist and the face of the hanger, no adjustment factor is required.
- CFS header must be braced to prevent web crippling/buckling per designer specification.
- CFS header must have full bearing of 1-5/8" flange-depth.
- Backing in the steel beam cavity is not required behind the hanger for the load listed.
- Allowable loads to steel beam are based on a minimum of a single 54mil (16ga) CFS joist member.
- The ultimate screw shear strength for #10 screws and #14 screws shall be at least 1644 lbs. and 3048 lbs. respectively.
- The screw shear strength capacities are based of CFSEI Tech Note (F701-12).
- Allowable loads have not been increased for seismic or wind.
- Contact ClarkDietrich Engineering Services for technical assistance.