

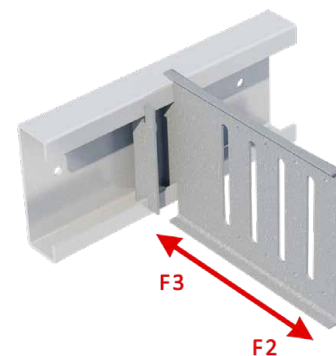
DRIFT RAIL AND CLIP (DRC) - DESIGN GUIDE

ATTACHMENT TO CONCRETE: 1/4" HILTI KWIK HUS-EZ
ATTACHMENT TO STUD: AS A DEFLECTION CONNECTION

Drift Rail and Clip - 12ga Clip / 12ga Rail

ALLOWABLE DRIFT RAIL CLIP LOADS
USING CLIP AS A DEFLECTION CONNECTION

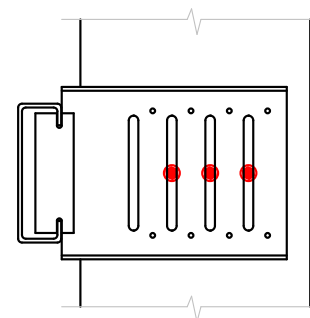
Clip designation	Stud gauge (mils)	Anchor to structure	Framing Connection		ASD Allowable Loads (lbs)	
			Screw Pattern	No. of Screws	F2 (Tension)	F3 (Compression)
DRC3-97	20ga (33mil)	(1) x 1/4" Hilti KWIK HUS-EZ @ 6" o.c. (3000psi uncracked concrete)	See Figure	(2) x #14	560	600
	18ga (43mil)			(2) x #14	655	670
	16ga (54mil)			(2) x #14	1000	970
	14ga (68mil)			(2) x #14	1045	1325
	12ga (97mil)			(2) x #14	1045	2040
DRC6-97	20ga (33mil)	(1) x 1/4" Hilti KWIK HUS-EZ @ 6" o.c. (3000psi uncracked concrete)	See Figure	(3) x #14	560	600
	18ga (43mil)			(3) x #14	655	670
	16ga (54mil)			(3) x #14	1000	970
	14ga (68mil)			(3) x #14	1045	1325
	12ga (97mil)			(3) x #14	1045	2040
DRC8-97	20ga (33mil)	(1) x 1/4" Hilti KWIK HUS-EZ @ 6" o.c. (3000psi uncracked concrete)	See Figure	(3) x #14	560	620
	18ga (43mil)			(3) x #14	655	730
	16ga (54mil)			(3) x #14	1000	1060
	14ga (68mil)			(3) x #14	1045	1340
	12ga (97mil)			(3) x #14	1045	1965



Drift Rail and Clip - 14ga Clip / 12ga Rail

ALLOWABLE DRIFT RAIL CLIP LOADS
USING CLIP AS A DEFLECTION CONNECTION

Clip designation	Stud gauge (mils)	Anchor to structure	Framing Connection		ASD Allowable Loads (lbs)	
			Screw Pattern	No. of Screws	F2 (Tension)	F3 (Compression)
DRC3-68	20ga (33mil)	(1) x 1/4" Hilti KWIK HUS-EZ @ 6" o.c. (3000psi uncracked concrete)	See Figure	(2) x #14	490	440
	18ga (43mil)			(2) x #14	540	520
	16ga (54mil)			(2) x #14	850	870
	14ga (68mil)			(2) x #14	850	1170
	12ga (97mil)			(2) x #14	850	1600
DRC6-68	20ga (33mil)	(1) x 1/4" Hilti KWIK HUS-EZ @ 6" o.c. (3000psi uncracked concrete)	See Figure	(3) x #14	490	440
	18ga (43mil)			(3) x #14	540	520
	16ga (54mil)			(3) x #14	850	870
	14ga (68mil)			(3) x #14	850	1170
	12ga (97mil)			(3) x #14	850	1600
DRC8-68	20ga (33mil)	(1) x 1/4" Hilti KWIK HUS-EZ @ 6" o.c. (3000psi uncracked concrete)	See Figure	(3) x #14	490	485
	18ga (43mil)			(3) x #14	540	620
	16ga (54mil)			(3) x #14	850	900
	14ga (68mil)			(3) x #14	850	1105
	12ga (97mil)			(3) x #14	850	1710



(3) #14 Deflection Screw Pattern
Shown in a DRC6 Clip

Notes:

- 1 Allowable loads (ASD) listed are for Drift Rail Clip where Drift Rail is attached to 3000psi uncracked concrete using (1) x 1/4" Hilti X KWIK HUS-EZ anchor only.
- 2 (1) x 1/4" Hilti KWIK HUS-EZ anchors (nom. embedment depth of 2-1/2", 3000psi uncracked concrete) should be fastened at every 6" o.c. for Drift Rail attachment to structure. Other anchors may be used to achieve full clip capacity but must be designed separately.
- 3 Allowable loads have not been increased for wind, seismic, or other factors.
- 4 Minimum (2) x #14 shouldered screws (for DRC3) and (3) x #14 shouldered screws (for DRC6 and DRC8) must be used to secure the Drift Rail Clip for attachment to stud (#14 shouldered screws provided with each Drift Rail Clip).
- 5 It is the responsibility of the designer to properly detail connections on the contract drawings.

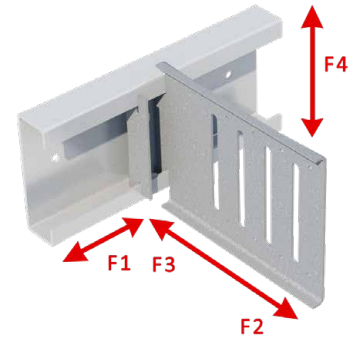
DRIFT RAIL AND CLIP (DRC) - DESIGN GUIDE

ATTACHMENT TO CONCRETE: 1/4" HILTI KWIK HUS-EZ
ATTACHMENT TO STUD: FIXED CONNECTION W/(4)#10-16

Drift Rail and Clip - 12ga Clip / 12ga Rail

ALLOWABLE DRIFT RAIL CLIP LOADS
USING CLIP AS A FIXED CONNECTION

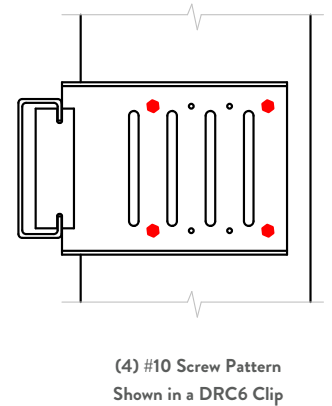
Clip designation	Stud gauge (mils)	Anchor to structure	Framing Connection		ASD Allowable Loads (lbs)			
			Screw Pattern	No. of Screws	F1 (In-Plane)	F2 (Tension)	F3 (Compression)	F4 (Shear)
DRC3-97	20ga (33mil)	(1) x 1/4" Hilti KWIK HUS-EZ @ 6" o.c. (3000psi uncracked concrete)	See Figure	(4) x #10	155	560	600	280
	18ga (43mil)			(4) x #10	155	655	670	415
	16ga (54mil)			(4) x #10	155	1000	970	840
	14ga (68mil)			(4) x #10	155	1045	1325	865
	12ga (97mil)			(4) x #10	155	1045	2040	865
DRC6-97	20ga (33mil)	(1) x 1/4" Hilti KWIK HUS-EZ @ 6" o.c. (3000psi uncracked concrete)	See Figure	(4) x #10	155	560	600	235
	18ga (43mil)			(4) x #10	155	655	670	345
	16ga (54mil)			(4) x #10	155	1000	970	705
	14ga (68mil)			(4) x #10	155	1045	1325	725
	12ga (97mil)			(4) x #10	155	1045	2040	725
DRC8-97	20ga (33mil)	(1) x 1/4" Hilti KWIK HUS-EZ @ 6" o.c. (3000psi uncracked concrete)	See Figure	(4) x #10	140	560	620	240
	18ga (43mil)			(4) x #10	140	655	730	360
	16ga (54mil)			(4) x #10	140	1000	1060	725
	14ga (68mil)			(4) x #10	140	1045	1340	745
	12ga (97mil)			(4) x #10	140	1045	1965	745



Drift Rail and Clip - 14ga Clip / 12ga Rail

ALLOWABLE DRIFT RAIL CLIP LOADS
USING CLIP AS A FIXED CONNECTION

Clip designation	Stud gauge (mils)	Anchor to structure	Framing Connection		ASD Allowable Loads (lbs)			
			Screw Pattern	No. of Screws	F1 (In-Plane)	F2 (Tension)	F3 (Compression)	F4 (Shear)
DRC3-68	20ga (33mil)	(1) x 1/4" Hilti KWIK HUS-EZ @ 6" o.c. (3000psi uncracked concrete)	See Figure	(4) x #10	115	490	440	280
	18ga (43mil)			(4) x #10	115	540	520	415
	16ga (54mil)			(4) x #10	115	850	870	740
	14ga (68mil)			(4) x #10	115	850	1170	740
	12ga (97mil)			(4) x #10	115	850	1600	805
DRC6-68	20ga (33mil)	(1) x 1/4" Hilti KWIK HUS-EZ @ 6" o.c. (3000psi uncracked concrete)	See Figure	(4) x #10	115	490	440	235
	18ga (43mil)			(4) x #10	115	540	520	345
	16ga (54mil)			(4) x #10	115	850	870	705
	14ga (68mil)			(4) x #10	115	850	1170	725
	12ga (97mil)			(4) x #10	115	850	1600	725
DRC8-68	20ga (33mil)	(1) x 1/4" Hilti KWIK HUS-EZ @ 6" o.c. (3000psi uncracked concrete)	See Figure	(4) x #10	120	490	485	240
	18ga (43mil)			(4) x #10	120	540	620	360
	16ga (54mil)			(4) x #10	120	850	900	725
	14ga (68mil)			(4) x #10	120	850	1105	745
	12ga (97mil)			(4) x #10	120	850	1710	745



Notes:

- 1 Allowable loads (ASD) listed are for Drift Rail Clip where Drift Rail is attached to 3000psi uncracked concrete using (1) x 1/4" Hilti KWIK HUS-EZ anchor only.
- 2 (1) x 1/4" Hilti KWIK HUS-EZ anchors (nom. embedment depth of 2-1/2", 3000psi uncracked concrete) should be fastened at every 6" o.c. for Drift Rail attachment to structure. Other anchors may be used to achieve full clip capacity but must be designed separately.
- 3 Allowable loads have not been increased for wind, seismic, or other factors.
- 4 Where anchors are loaded simultaneously, load interaction must be considered following anchor manufacturer guidelines.
- 5 Use linear load interaction for combined loading conditions.
- 6 Minimum (4) x #10-16 screws must be used to secure the Drift Rail Clip for attachment to stud.
- 7 It is the responsibility of the designer to properly detail connections on the contract drawings.
- 8 F1 (In-Plane) loads are based on using a Drift Locking Clip (DRLC) or Drift Locking Angle (DRLA) restricting Drift Clip lateral movement.

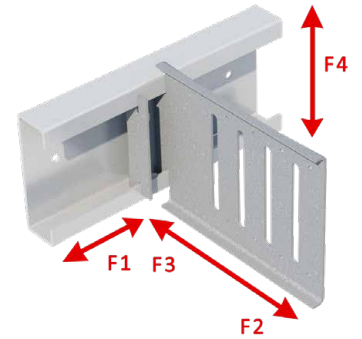
DRIFT RAIL AND CLIP (DRC) - DESIGN GUIDE

ATTACHMENT TO CONCRETE: 1/4" HILTI KWIK HUS-EZ
ATTACHMENT TO STUD: FIXED CONNECTION W/(8)#10-16

Drift Rail and Clip - 12ga Clip / 12ga Rail

ALLOWABLE DRIFT RAIL CLIP LOADS
USING CLIP AS A FIXED CONNECTION

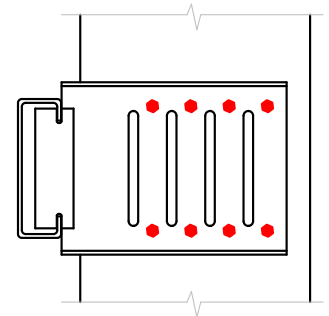
Clip designation	Stud gauge (mils)	Anchor to structure	Framing Connection		ASD Allowable Loads (lbs)			
			Screw Pattern	No. of Screws	F1 (In-Plane)	F2 (Tension)	F3 (Compression)	F4 (Shear)
DRC6-97	20ga (33mil)	(1) x 1/4" Hilti KWIK HUS-EZ @ 6" o.c. (3000psi uncracked concrete)	See Figure	(8) x #10	155	560	600	395
	18ga (43mil)			(8) x #10	155	655	670	585
	16ga (54mil)			(8) x #10	155	1000	970	875
	14ga (68mil)			(8) x #10	155	1045	1325	920
	12ga (97mil)			(8) x #10	155	1045	2040	920
DRC8-97	20ga (33mil)	(1) x 1/4" Hilti KWIK HUS-EZ @ 6" o.c. (3000psi uncracked concrete)	See Figure	(8) x #10	140	560	620	375
	18ga (43mil)			(8) x #10	140	655	730	555
	16ga (54mil)			(8) x #10	140	1000	1060	910
	14ga (68mil)			(8) x #10	140	1045	1340	910
	12ga (97mil)			(8) x #10	140	1045	1965	910



Drift Rail and Clip - 14ga Clip / 12ga Rail

ALLOWABLE DRIFT RAIL CLIP LOADS
USING CLIP AS A FIXED CONNECTION

Clip designation	Stud gauge (mils)	Anchor to structure	Framing Connection		ASD Allowable Loads (lbs)			
			Screw Pattern	No. of Screws	F1 (In-Plane)	F2 (Tension)	F3 (Compression)	F4 (Shear)
DRC6-68	20ga (33mil)	(1) x 1/4" Hilti KWIK HUS-EZ @ 6" o.c. (3000psi uncracked concrete)	See Figure	(8) x #10	115	490	440	395
	18ga (43mil)			(8) x #10	115	540	520	585
	16ga (54mil)			(8) x #10	115	850	870	740
	14ga (68mil)			(8) x #10	115	850	1170	740
	12ga (97mil)			(8) x #10	115	850	1600	805
DRC8-68	20ga (33mil)	(1) x 1/4" Hilti KWIK HUS-EZ @ 6" o.c. (3000psi uncracked concrete)	See Figure	(8) x #10	120	490	485	375
	18ga (43mil)			(8) x #10	120	540	620	555
	16ga (54mil)			(8) x #10	120	850	900	800
	14ga (68mil)			(8) x #10	120	850	1105	800
	12ga (97mil)			(8) x #10	120	850	1710	865



(8) #10 Screw Pattern
Shown in a DRC6 Clip

Notes:

- 1 Allowable loads (ASD) listed are for Drift Rail Clip where Drift Rail is attached to 3000psi uncracked concrete using (1) x 1/4" Hilti KWIK HUS-EZ anchor only.
- 2 (1) x 1/4" Hilti KWIK HUS-EZ anchors (nom. embedment depth of 2-1/2", 3000psi uncracked concrete) should be fastened at every 6" o.c. for Drift Rail attachment to structure. Other anchors may be used to achieve full clip capacity but must be designed separately.
- 3 Allowable loads have not been increased for wind, seismic, or other factors.
- 4 Where anchors are loaded simultaneously, load interaction must be considered following anchor manufacturer guidelines.
- 5 Use linear load interaction for combined loading conditions.
- 6 Minimum (8) x #10-16 screws must be used to secure the Drift Rail Clip for attachment to stud.
- 7 It is the responsibility of the designer to properly detail connections on the contract drawings.
- 8 F1 (In-Plane) loads are based on using a Drift Locking Clip (DRLC) or Drift Locking Angle (DRLA) restricting Drift Clip lateral movement.