

## ClarkDietrich Sound Clip (CDSC)

### Sound Isolation and Dampening Clip

The ClarkDietrich Sound Clip is used in conjunction with 18mil (25ga) 7/8" deep drywall furring channel. It is used to fasten gypsum wallboard in various wall and floor-ceiling applications, while simultaneously providing acoustical separation. This significantly reduces the amount of airborne sound filtering from room to room. The ClarkDietrich Sound Clip adds notable STC points to most assemblies while reducing sound transfer.

- Fasteners for Wood: #8 x 2-1/2" min size coarse thread screw only-no nails
- Fasteners for Steel: #8 x 1-5/8" min size fine thread screws-no nails

#### Product Data & Ordering Information:

Material:	33ksi
Coating:	G60 hot-dipped galvanized coating
Thickness:	43mil (18ga), 0.0451" Design Thickness, 0.0428" Min. Thickness
Dimensions:	3" x 1-1/4" (Clip only)
Packaging:	(100) pieces per box
Product Weight:	0.13 lb. / piece

#### ASTM & Code Standards:

- Sheet steel meets or exceeds requirements of ASTM A1003
- Galvanized coating meets or exceeds requirements of ASTM A653
- Rubber grommet meets or exceeds ASTM D2000
- Complies to UL 263 test standards. See full list of UL® design assemblies in UL R19331.
- SDS & Product Certification Information is available at [www.clarkdietrich.com/SupportDocs](http://www.clarkdietrich.com/SupportDocs)

#### CDSC STC Sound Assemblies on 3-5/8" ProSTUD®

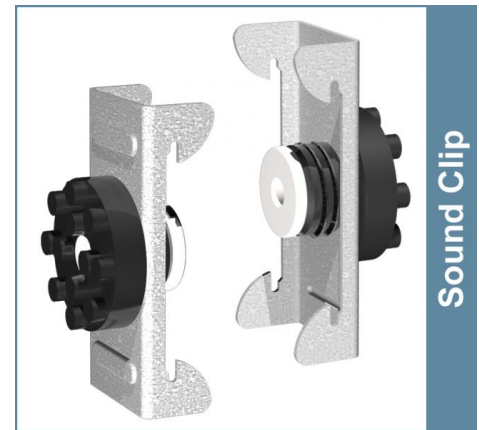
Wall Framing	Stud Spacing	Wall Board (Side1 / Side2)	Insulation	STC Rating
3-5/8" ProSTUD 20 (33mil)	24" o.c.	(1) layer / (1) layer - Type C	R-19	60
3-5/8" ProSTUD 20 (33mil)	24" o.c.	(1) layer / (2) layers - Type C	R-19	62
3-5/8" ProSTUD 20 (33mil)	24" o.c.	(2) layers / (2) layers - Type C	R-19	63
3-5/8" ProSTUD 25 (15mil)	16" o.c.	(1) layer / (1) layer - Type X	R-11	56
3-5/8" ProSTUD 25 (15mil)	16" o.c.	(1) layer / (2) layers - Type X	R-11	60
3-5/8" ProSTUD 25 (15mil)	16" o.c.	(2) layers / (2) layers - Type X	R-11	62

#### CDSC STC Sound Assemblies on 2 x 4 Wood

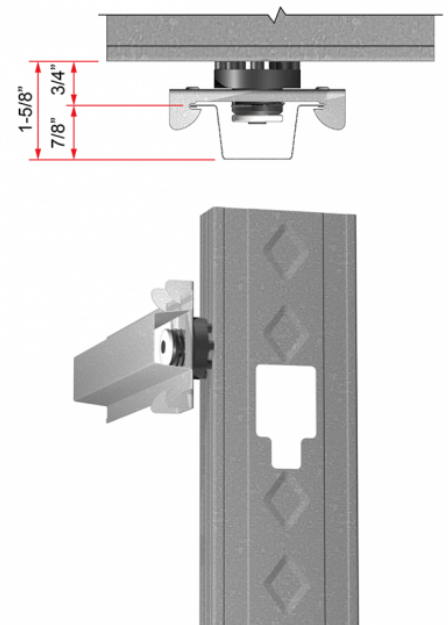
Wood Framing	Stud Spacing	Wall Board (Side1 / Side2)	Insulation	STC Rating
2" x 4"	16" o.c.	(1) layer / (1) layer - Type C	R-19	60
2" x 4"	16" o.c.	(1) layer / (2) layers - Type C	R-19	61
2" x 4"	16" o.c.	(1) layer / (1) layer - Type X	R-19	53
2" x 4"	16" o.c.	(1) layer / (2) layers - Type X	R-19	57
2" x 4"	16" o.c.	(2) layers / (2) layers - Type X	R-19	62

1. Sound Assemblies are certified by Western Electro-Acoustical Laboratories
2. NVLAP Accredited for ASTM E90 & E413, ISO Certified
3. See STC test reports at [www.clarkdietrich.com/CDSC](http://www.clarkdietrich.com/CDSC) for detailed requirements of construction of wall assembly.

#### 09.22.16 (Non-Structural Metal Framing)



- Used in conjunction with 7/8" 25 ga Furring Channel
- 48" o.c. maximum spacing
- Maximum acoustical design load is 36 lbs.
- Ideal for use in multi-family dwelling, hotels, theaters and hospitals
- SOUND TESTING FOR TYPE X & TYPE C BOARDS



#### Project Information

Name:  
Address:

#### Contractor Information

Name:  
Contact:  
Phone:  
Fax:

#### Architect Information

Name:  
Contact:  
Phone:  
Fax: