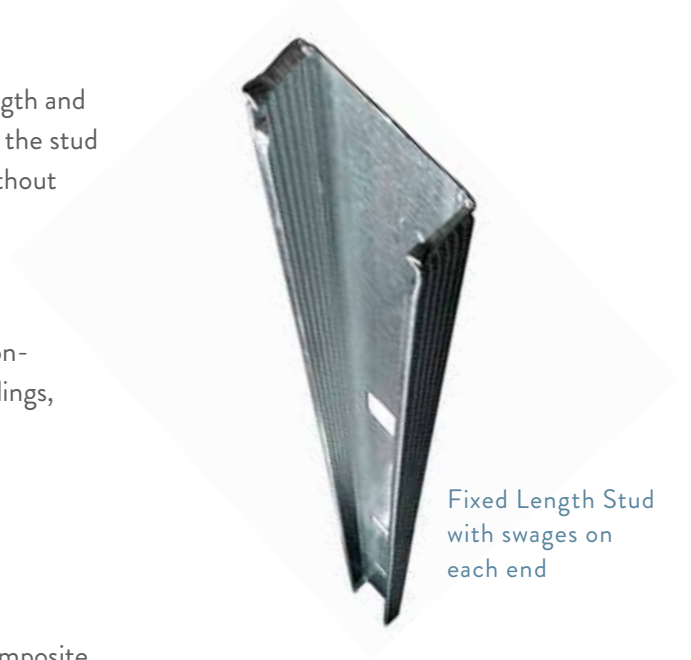


TRAKLOC® STUD PRODUCTS

TRAKLOC® FIXED LENGTH STUD (TLF)

TRAKLOC stud without telescopic extension. Studs are fixed length and not adjustable and have a TRAKLOC swaged end on both ends of the stud allowing the stud to be connected to the top and bottom track without fasteners.

- Connected without the use of fasteners
- Ideal for partition walls that do not go from deck to deck and non-composite "above-grid" wall assemblies that have suspended ceilings, as well as TI (tenant improvement) and remodel applications
- Less time on lifts/ladders



Fixed Length Stud with swages on each end

TRAKLOC® ADJUSTABLE STUD (TLA)

The TRAKLOC adjustable stud can be used in composite, non-composite, rated or non-rated wall assemblies that extend from deck to deck and do not require allowance for live-load and or seismic-induced inter-floor vertical deflection. Extension inserts are 12" long.

- Accommodates variation in floor to ceiling heights
- Eliminates need to measure and cut studs on jobsite
- Project schedule time savings and installed cost saving

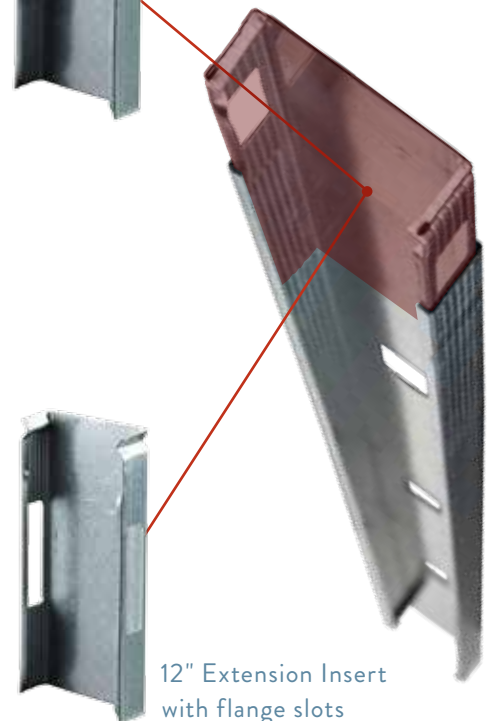


12" Extension Insert w/o flange slots

TRAKLOC® DEFLECTION STUD (TLD)

The TRAKLOC deflection stud is similar to our TRAKLOC adjustable stud, except the 12" long extension insert has slots cut out of the flanges. This allows the drywall screw to pass through the drywall and the outer portion of the stud while passing through the slot. The slot allows the drywall to be attached while still allowing for seismic and/or live-load induced inter-floor deflection at the head-of-wall joint.

- Allows for seismic and live-load vertical inter-floor deflection
- Tested in accordance with ASTM E-119 and ASTM E-1966
- Approved for use in one-hour and two-hour fire-rated head-of-wall deflection assemblies
- Intertek Warnock Hersey Design Listed
- TRAKLOC® Deflection Stud (TLD) has a total allowable vertical (deflection) movement of 3" (1-1/2"±)
- Allows up to 2" of stud height adjustability



12" Extension Insert with flange slots