

Metal Furring Channel Clip

Quickly facilitates the attachment of metal furring channel to 1-1/2" U-channel in ceiling assemblies.

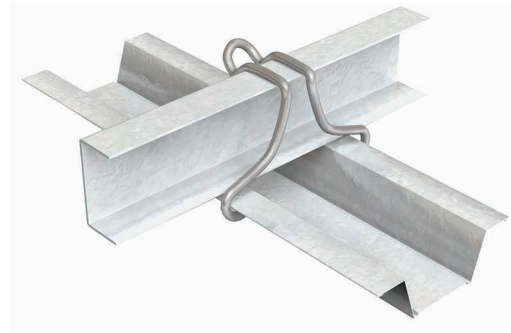
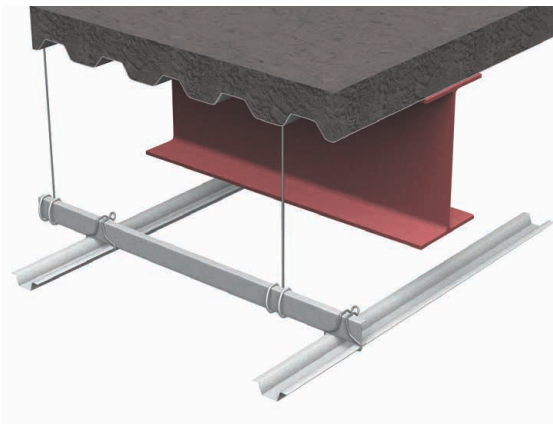
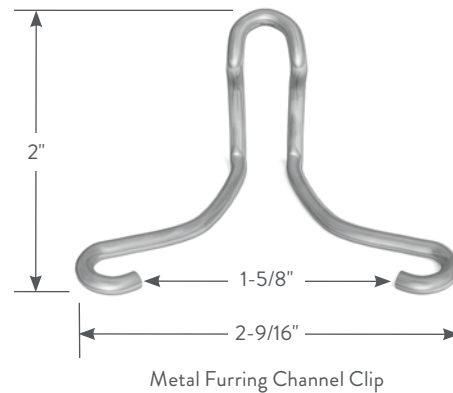
ClarkDietrich metal furring channel clips are made of galvanized wire and used to attach metal furring channels to 1-1/2" U-channels in ceiling gridwork. Clips must be installed on alternating sides of the 1-1/2" channels. Use tie wire when clips cannot be alternated. Clips should only be used when single-layer gypsum or single-layer veneer plaster base is used.

MATERIAL SPECIFICATIONS

MFCCs, made of corrosion-resistant galvanized wire, are used in attaching metal channels to 1-1/2" cold-rolled channel ceiling grillwork. For use with gypsum panels or with single-layer veneer gypsum plaster base. See illustrations.

INSTALLATION

MFCCs must be attached on alternate sides of the 1-1/2" U-channels. Use tie wire when clips cannot be alternated.



Metal Furring Channel Clip (MFCC)

Product code	Pcs./Carton
MFCC	500